

Installation Instructions

Skamol Panel Kit 156816 and Reflective Glass Panel Kit 156817

Kit Contents:

- 1 Rear Panel
- 2 Side Panels
- Cotton gloves - *Glass Kit only*

Tools Required:

- 4 mm hex key - *included with the stove*
- Anti-seize lubricant- *included with the stove*
- small flat head screwdriver

CAUTION:
THESE PANELS ARE FRAGILE! SUPPORT EACH PIECE WITH BOTH HANDS AND HANDLE WITH CARE.

Handle Skamol panels with work-gloves to avoid skin irritation.

To avoid fingerprinting, handle glass panels with the cotton gloves supplied in the kit.

Preparation

1. **Remove the Glass Frame Assembly** using the 4 mm hex key included with the stove. Remove the bottom two socket head screws first and be sure to support the frame as you remove the two upper screw. See fig. 1.
2. **Remove the pilot head** to obtain installation clearance for the panels. It simply lifts off its base, slipping by the retainer clip.
3. **Remove the Burner.** It simply lifts up and out of the firebox.

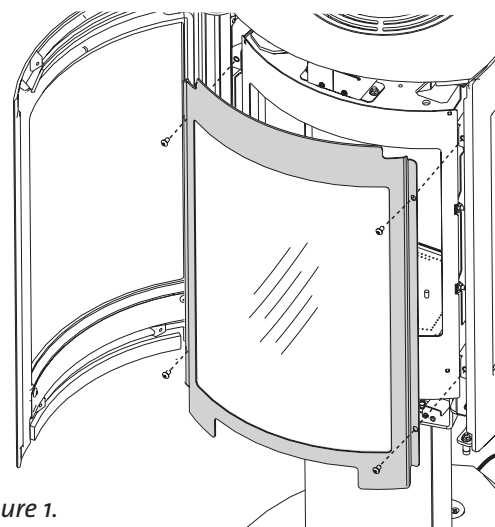


Figure 1.
Remove glass frame.

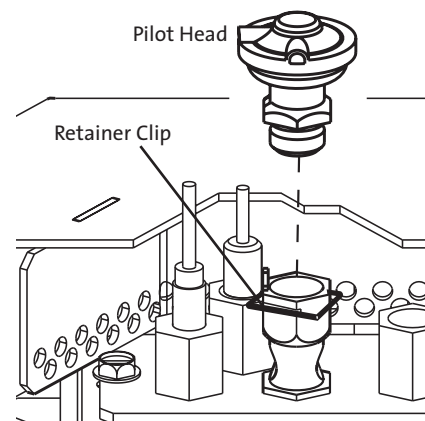


Figure 2.
Remove pilot head to provide clearance.

Continued on reverse side.





Figure 3.
Skamol panel orientation.

Skamol Panels

1. Install the Rear Panel.
Orient the panel with the bevelled edges facing back, matching the angles of the firebox walls. Tilt the panel to engage the upper edge behind the two retainer brackets at the top of the firebox. Push the panel all the way back and centered against the firebox wall. See fig. 4.
2. Install the Side Panels.
Orient each panel with the rounded edge facing forward. Tilt the panel to engage the upper edge behind the retainer clip at the top of the firebox. See fig. 5.
3. Replace the burner plate. When properly located, it will be level and secure.
4. Replace the pilot head. It will just snap back into place on the base.

Reflective Glass Panels

Use the cotton gloves to handle the panels to prevent fingerprints on the surfaces. Fingerprints are difficult to remove. Use a clean cloth to remove any dust from the glass panels.

1. Orient the rear panel, *shiny side out, textured side in*. Tilt the panel to engage its upper edge behind the retainer brackets. See fig. 6. Each bracket is secured to the top of the firebox by a sheet metal screw, located behind the forward flange. It may be necessary to slightly loosen the screw to adjust the bracket to accommodate the rear panel.
2. Orient the side panels, *shiny side out, textured side in*, tilting each to first engage the top edge behind the retainer bracket, and then swinging the panel up against the wall. Retighten the screws if appropriate. See Fig. 7.
3. Replace the burner plate. When properly located, it will be level and secure.
4. Replace the pilot head. It will just snap back into place on the base.

Replace the Glass Frame

1. Apply a small amount of anti-seize lubricant to each socket head screw before re-installing the glass frame.

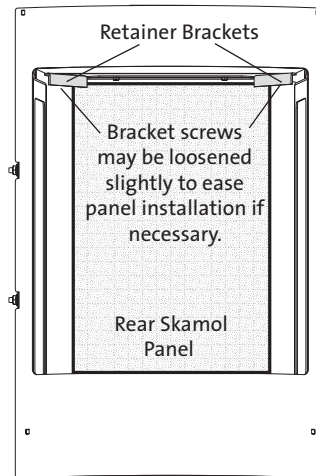


Figure 4.
Install rear Skamol panel.

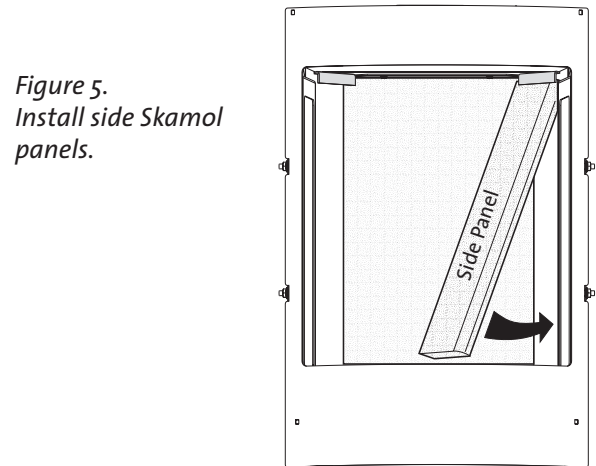


Figure 5.
Install side Skamol panels.

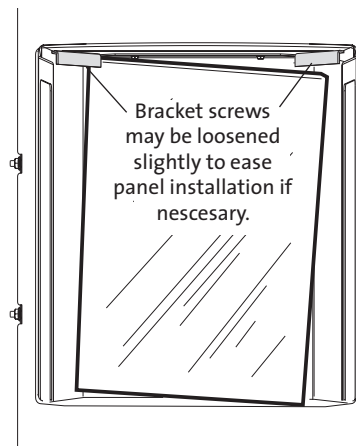


Figure 6.
Install rear glass panel.

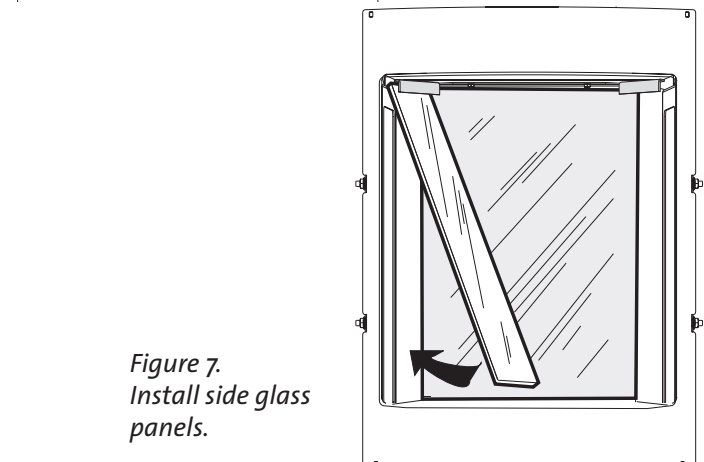


Figure 7.
Install side glass panels.