

Antique Brick Panel Kit Installation Instructions

Kit #154961

Cast in molds patterned from real antique bricks, these authentic-looking ceramic panels will enhance the warmth and beauty of your Acadia gas fireplace.

No tools are required for assembly.

- 1. Remove the Glass Frame.** Open the lower control panel and locate the two frame latches under the firebox floor. Pull the latch handle forward to disengage it from the bottom of the glass frame. You can then pull the frame out and up off of the three retainer tabs at the top of the firebox opening. Set the Glass Frame out of the way.
- 2. Remove the Fettle and Logset.** These parts are not fastened. Simply lift them out of the firebox.
- 3. Install the Side Panels.** Engage the bottom edge of each side panel between the Logset Base and the firebox wall and push the panel forward against the front lip of the firebox opening.
- 4. Install the Lower Rear Panel.** Orient the panel so that the beveled edge is on top and the mortar joints align with those on the side panels. Engage the bottom edge between the rear wall and the base. Press the panel snugly between the two side panels.
- 5. Install the Upper Rear Panel.** This will also be a snug fit. Set the panel up high and then carefully lower it to seat its lower edge against the top of the other rear panel. The side panels will hold it in place.
- 6. Reinstall the Logset and Fettle.** Refer to the Owner's Manual if necessary.
- 7. Replace the Glass Frame.** First engage the top of the frame with the three retainer tabs at the top of the firebox. Seat the frame against the opening and pull the latches forward to engage with the slots in the bottom of the frame.

Figure 1.
Kit Contents

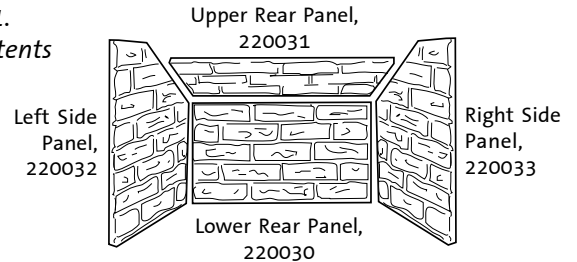


Figure 2.
Release the
Glass Frame
latches.

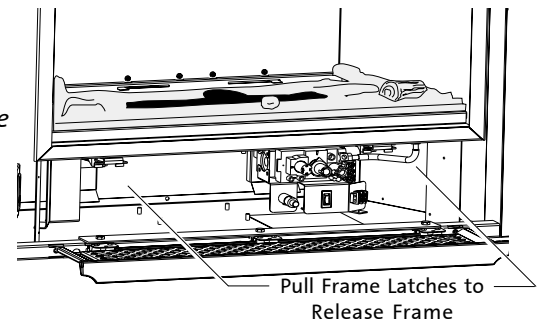


Figure 3.
Install the Side
Panels.

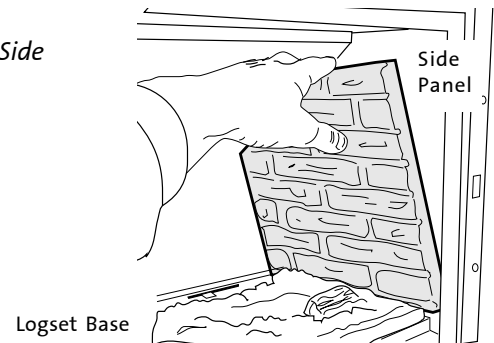


Figure 4.
Install Lower
Rear Panel.

