

READ THESE INSTRUCTIONS BEFORE BEGINNING THE INSTALLATION.

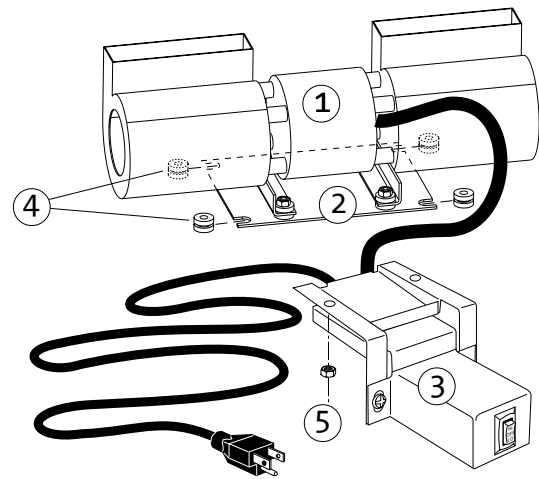
- The optional Acadia Blower (154960) must be electrically grounded in accordance with local codes or, in the absence of local codes, with the current ANSI/NFPA 70, National Electrical Code or CSA C22.1-Canadian Electrical Code.
- The Acadia Blower is supplied with a three-prong (grounding) plug for protection against shock hazard and should be plugged directly into a properly grounded three-prong receptacle. **DO NOT CUT OR REMOVE THE GROUNDING PRONG FROM THE PLUG.**
- Always disconnect the power supply when performing routine service on the fireplace.

CONTENTS:

1. #129374 Fan/Motor Unit- 125 cfm., Two-speed
2. #220012 Base Plate
3. #220050 Control Switch, Snapstat
4. #220055 Rubber Grommets, 4
5. #9930 M6 Hex nuts, 2

TOOLS REQUIRED:

- 7/16" (10 mm) open end or socket wrench



Install the optional Blower before installing the gas supply line. The 125 CFM heat-activated fan unit will be located in the bottom rear of the fireplace cabinet.

Blower Function

The blower is controlled by a heat activated switch (snapstat) that will ONLY function if the blower control switch is either in the HI or LOW setting. Once the unit has been operating for a short time and the firebox heats, the blower will start on either the HI or LOW speed.

Conversely, once the unit is off, the blower will continue to operate until the snapstat cools and turns the blower off.

If the blower is not needed, place the blower control switch in the OFF position and the snapstat will not function.

Installation

1. Insert a rubber grommet at each corner of the Base Plate as shown in Fig. 1.
2. Engage the Blower unit base with the four studs at the rear of the fireplace cabinet floor. See Fig. 2.
3. Using the M6 nuts and 10 mm socket, attach the Control Switch / Snapstat Bracket to the two studs protruding from the firebox floor. See Fig. 3. Be sure that the snapstat disc firmly contacts the bracket surface.
4. Run the power cord through the opening in the side of the cabinet nearest the receptacle. Gather slack cord into the side cavity, away from the plumbing and other wiring.

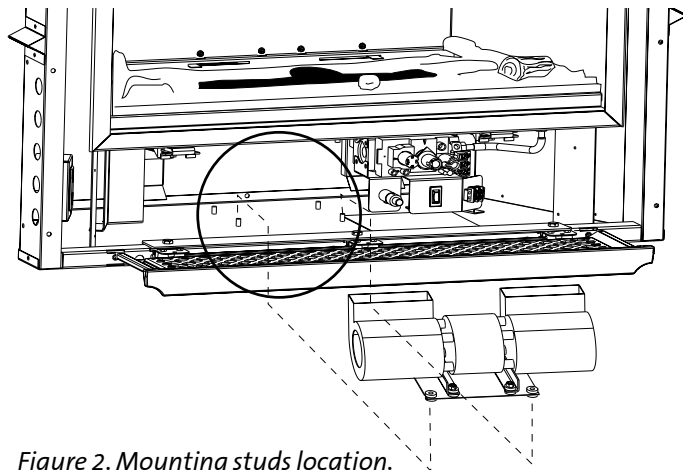


Figure 2. Mounting studs location.

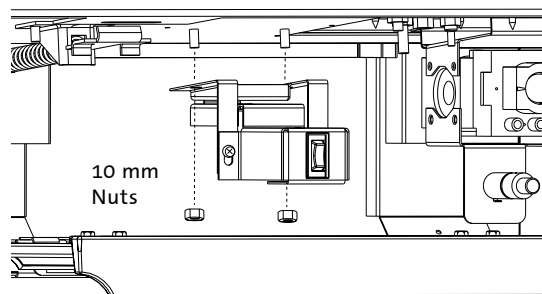


Figure 3. Install the Control Switch.

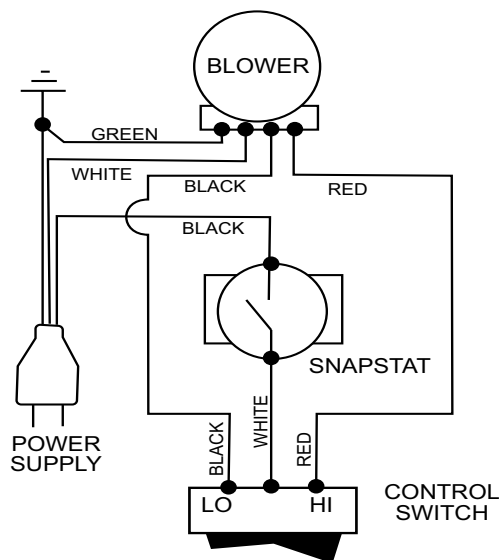


Figure 4. Blower Wiring Diagram



This kit is approved for use with the Jøtul GZ550 DV Acadia Gas Fireplace by Intertek Testing Services, Inc. Middleton, Wisconsin.