

# Jøtul Double Door System Installation Instructions

Matte Black Kit #350560

Blue Black Kit #350561

The Door set is fully assembled and requires no tools for installation. Use the 4 mm hex key supplied with the doors to adjust the door alignment at the hinge screws.

## Door Installation

Unpack the door set and inspect the parts for damage. Notify your dealer if any damage is found.

You may wish to remove the doors from the frame to lighten the assembly and ease installation. They simply lift off of the hinges.

The door assembly attaches to the fireplace by engaging the three slots in the upper frame with the corresponding steel tabs at the top of the firebox. See Fig. 1.

A dimple located on the inside of the frame at each lower corner engages with corresponding holes in the glass frame to hold the bottom of the door assembly securely to the firebox. See A, Fig. 2.

1. Open the Control Access Door. Hang the door frame onto the firebox by engaging the tabs with the holes in the frames. See Fig. 1.
2. Push the frame over to one side and engage the dimple on that lower corner with the hole in the side of the glass frame. You will feel it lock into place.
3. Push the frame assembly over to the opposite side and push that lower corner down to engage with the firebox.

## Door Alignment Adjustment

You can adjust the door alignment if necessary by loosening the socket head screws using the 4 mm hex key provided. (See B, Fig. 2 and Fig. 3). Realign the door and then tighten the screws.

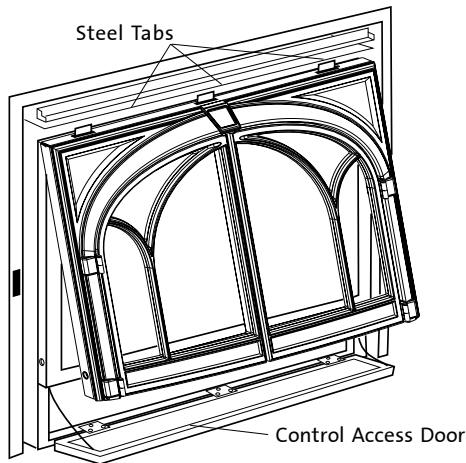


Figure 1. Hang the frame on the cabinet.

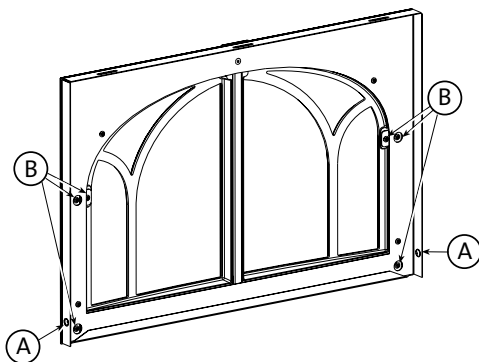


Figure 2. Rear view of door frame.

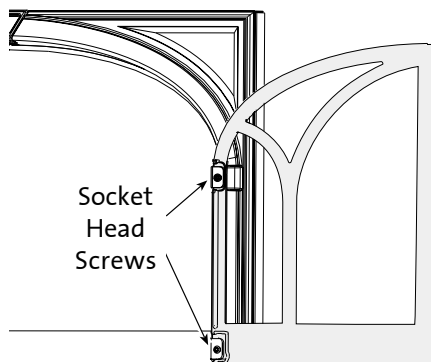


Figure 3. Door adjustment points.

### PARTS LIST

	Matte Black		Blue Black
1.	#10397192	Left Frame Arch	#10397127
2.	#10397292	Right Upper Arch	#10397128
3.	#10397092	Arch Keystone	#10397027
4.	#10396892	Left Door	#10396827
5.	#10396992	Right Door	#10396927
6.	#220026	Steel Frame	
7.	#220040	Screen, Flat	
8.	#129560	Hinge Pins, 4	
9.	#220051	Door Hinge, "A" Half	
		2-Left Door, Upper / 2-Right Door, Lower	
10.	#220052	Door Hinge, "B" Half	
		2-Left Door, Lower / 2-Right Door, Upper	
11.	#220062	Bullet Catch, 2	
12.	#117977	M6 x 10 Flat Hd Socket Screw, 1	
13.	#117978	M6 x 10 Button Hd Socket Screw, 12	

