

Jøtul QuickFace™ System Installation Instructions

Matte Black Steel - Standard #154964

Matte Black Steel - Arch #154965

Brushed Stainless Steel - Standard #154968

Brushed Stainless Steel - Arch #154969

The Jøtul QuickFace System allows you to frame your fireplace with a choice of designs and materials to suit your taste. Each frame kit includes an integral screen that may be removed if desired. No tools are required for installation.

Frame Installation

Unpack the frame set and inspect the parts for damage. Notify your dealer if any damage is found.

The decorative frame assembly simply hangs over the fireplace glass panel frame.

1. Hang the QuickFace over the glass frame by engaging the three steel tabs with the slots in the upper frame.
2. Firmly press down on each lower corner of the frame to engage the dimple with the corresponding hole in the glass frame.

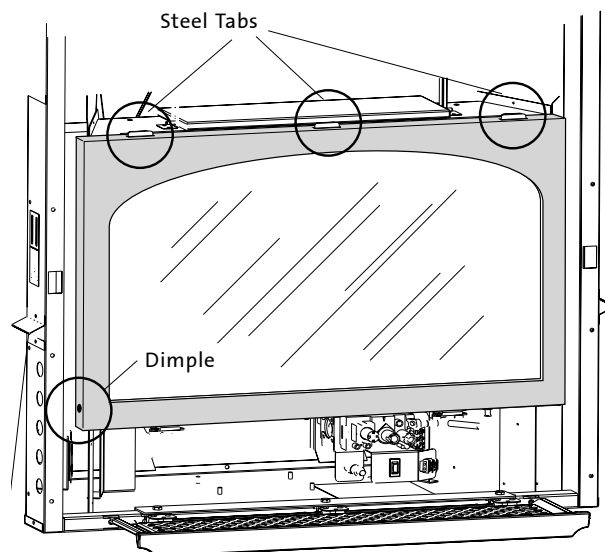


Figure 1. Hang the frame on the cabinet and engage dimples with the glass frame.

NOTE: BE SURE TO REMOVE THE CLEAR PROTECTIVE COATING FROM THE SURFACES OF STAINLESS STEEL FRAMES BEFORE OPERATING YOUR FIREPLACE.