

Fuel Conversion Kit Instructions

for the

820 NOVA SIT Valve

#156444 NG to LP Conversion Kit

#156445 LP to NG Conversion Kit

TOOLS REQUIRED:

- 1/2" (13 mm) deep well socket wrench
- Torx T20 or slotted screwdriver

CONTENTS:

- 1, Regulator Tower, labeled LP or NG
- 3, Regulator Tower screws
- 1, Pilot Orifice - #30 LP, or #51 NG
- 1, Injector - 1.50 mm LP, or #38 NG
- 1, 4mm Hex Key
- Label A - for Valve Compartment
- Label B - for Rating Plate

WARNING:

This conversion kit shall be installed by a qualified service agency in accordance with the manufacturer's instructions and all applicable codes and requirements of the authority having jurisdiction. If the information in these instructions is not followed exactly, a fire, explosion or production of carbon monoxide may result causing property damage, personal injury or loss of life. The qualified service agency is responsible for the proper installation of this kit. The installation is not proper and complete until the operation of the converted appliance is checked as specified in the manufacturer's instructions supplied with the kit.

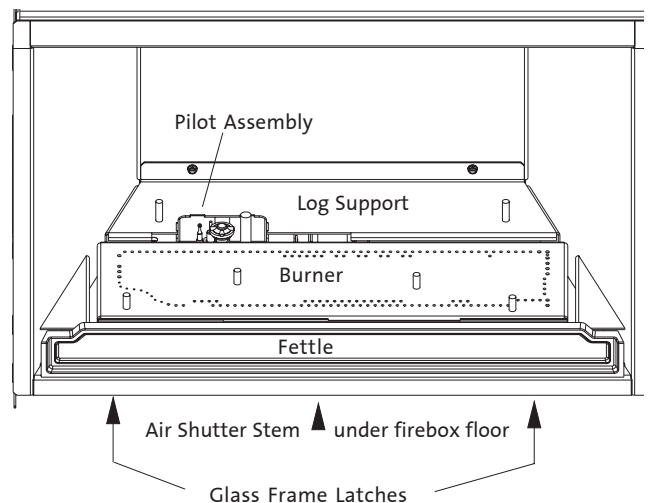
Cet équipement de conversion sera installé par une agence qualifiée de service conformément aux instructions du fabricant et toutes exigences et codes applicables de l'autorité ayant la juridiction. Si l'information dans cette instruction n'est pas suivie exactement, un feu, explosion ou production de protoxyde de carbone peut résulter le dommages causer de propriété, perte ou blessure personnelle de vie. L'agence qualifiée de service est responsable de l'installation propre de cet équipement. L'installation n'est pas propre et complète jusqu'à l'opération de l'appareil converti est vérifié suivant les critères établis dans les instructions de propriétaire fournies avec l'équipement.

IMPORTANT: THE GAS SUPPLY MUST BE SHUT OFF FROM THE APPLIANCE AND ANY ELECTRICAL COMPONENT MUST BE DISCONNECTED FROM POWER BEFORE BEGINNING THIS PROCEDURE.

Fuel Conversion Procedure

- 1. Remove the Glass Frame, Logset, and Fettle and Log Support.** Use the latch release tool, located on right side of the insert, to release the the two spring latches located under the firebox. See fig. 1.
- 2. Loosen the wingnut on the Air Shutter Stem,** located under the center of the firebox floor, and push the stem back as far as it will go. Disengage the burner assembly from the Air Shutter by lifting it up and back, out of the firebox. Swing the Air Shutter out of the way to access the burner orifice. Fig. 2.

Figure 1. Firebox component identification.



4. Change the Air Shutter position: Lift the air shutter tube up in its pivot slots and turn the tube over, so that the appropriate fuel type indicator (LP or NG) is oriented facing you. See fig. 3.

5. Change the Pilot Orifice:

- Disengage the Pilot Hood by releasing the retainerclip as shown in Fig. 4. Using a 4 mm allen wrench, unscrew the pilot orifice (counter-clockwise). Replace with the orifice from the kit. Tighten new orifice securely into the base of the pilot assembly.

- Replace Pilot Hood by pushing it into the base.

6. Replace the Burner Assembly: Slide the venturi tube into the Air Shutter and engage the tube fully over the orifice. The burner should engage with the three support brackets on the floor of the firebox. Properly located, the burner will be level and locked into correct alignment with the pilot assembly.

7. Adjust the Air Shutter:

- Slide the shutter forward (toward yourself) to open the inlet. Slide it back to the rear to close. The shutter is set fully closed at the factory. This is an optimum setting for most installations using natural gas. Propane use, however, may require a more open setting. Make adjustments in 1/8" increments.

8. Change the Regulator: See Fig. 5.

- Using a Torx T-20 screwdriver or small spade screwdriver, remove the three specialty screws from the front of the valve regulator.

- Remove the regulator tower and gasket.

BE SURE TO REMOVE THE BLACK RUBBER GASKET FROM THE VALVE.

- Install the new variable regulator tower with the new rubber gasket. **Thoroughly** tighten new regulator to valve body.

9. Apply the Conversion Labels:

- Apply LABEL A to the cabinet floor so that it may be seen by anyone servicing the fireplace.
- Apply LABEL B to the Rating Plate in the space provided.

10. Reassemble the fireplace, apply gas to the system and check for gas leaks including all gas lines before and after the valve. NEVER USE AN OPEN FLAME TO CHECK FOR GAS LEAKS.

IMPORTANT: Correct gas pressure must be established at the time of the installation. Refer to the specifications at right.

WHEN LIGHTING THIS APPLIANCE, ALWAYS REFER TO THE LIGHTING INSTRUCTIONS ON THE INSIDE BACK COVER OF THE OPERATION MANUAL OR RATING PLATE ATTACHED TO THE UNIT.

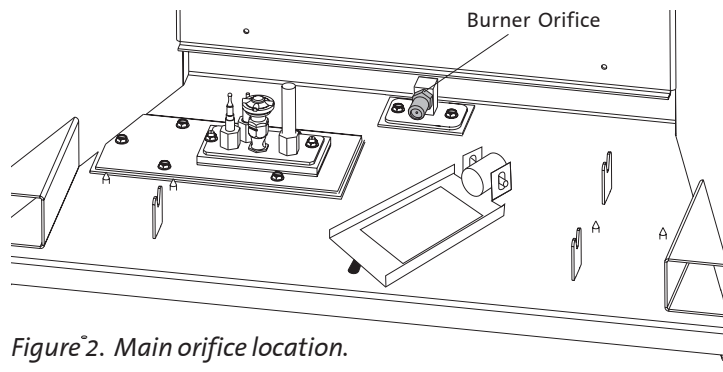


Figure 2. Main orifice location.

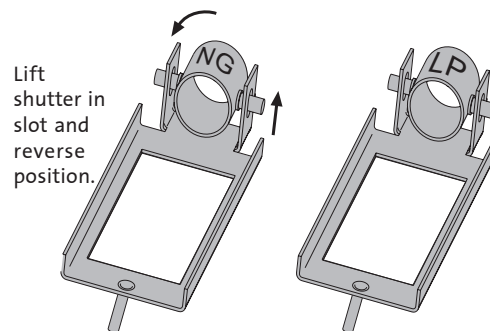


Figure 3. Changing the Air Shutter orientation.

Figure 4. Pilot assembly and orifice removal.

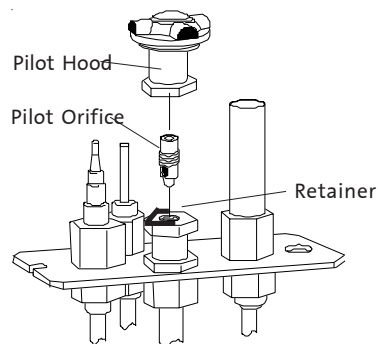
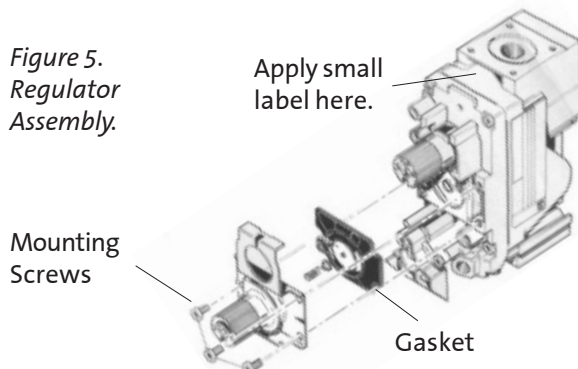


Figure 5. Regulator Assembly.



Burner Specifications / Jøtul GI 350 DV

	NATURAL	PROPANE
Min. Input Rate at 0 - 2000'	16,500 BTU	14,300 BTU
Max. Input Rate at 0 - 2000'	28,000 BTU	28,000 BTU
Max. Input Rate up to 4500'	28,000 BTU	28,000 BTU
Manifold Pressure up to 4500'	1.2 wc - 3.8 wc	2.9 wc - 11.0 wc
Min./Max. Supply Pressure	5.0 wc - 11.0 wc	12.0 wc-13.0 wc
Orifice Size, 0 - 2000'	#38	1.50 mm
Orifice Size, 2000' - 4500'	#38	1.50 mm
DO NOT DERATE FOR ALTITUDE.		