



# Fireplace Insert Hearth Guide and Template C 350 Winterport

This guide is only intended for use on-site as a quick reference tool. Final installation must conform to all of the requirements specified in the Installation Manual included with each unit and also available at [www.jotul.us](http://www.jotul.us).

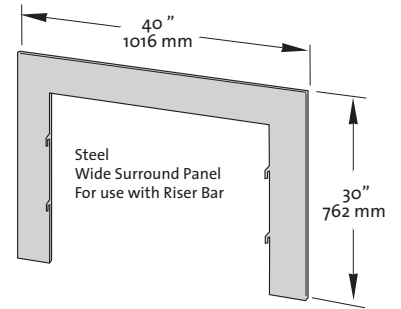
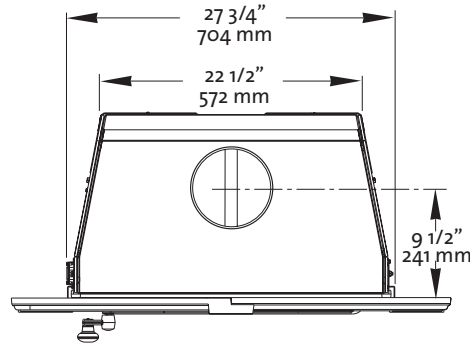
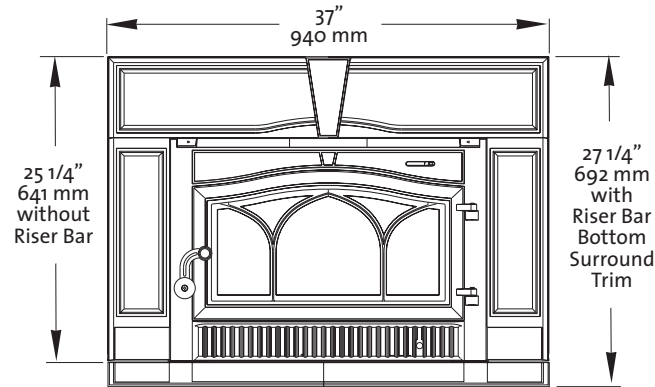
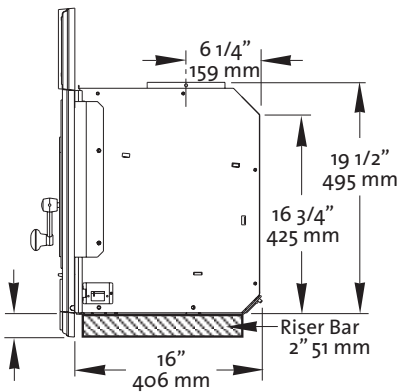


Fig. 1.



## Optional Surrounds

- Steel Wide Surround, 40" x 30" Matte Black - 156055
- Trimable Surround, 37" x 25 1/2" for Z-C fireplaces -157326

## Minimum Fireplace Dimensions

- A - Opening Width\* = 32" (813mm)
- B - Opening Height\*\* = 19 1/2" (495mm)
- C - Rear Width = 22 3/4" (577mm)
- D - Rear Height\*\* = 16 3/4" (425mm)
- E - Depth = 16" (406mm)

\* NOTE: Width dimension accommodates clearance for Surround attachment and blower power cord routing.

\*\* Add 2" (51 mm) for use with optional Riser Bar.

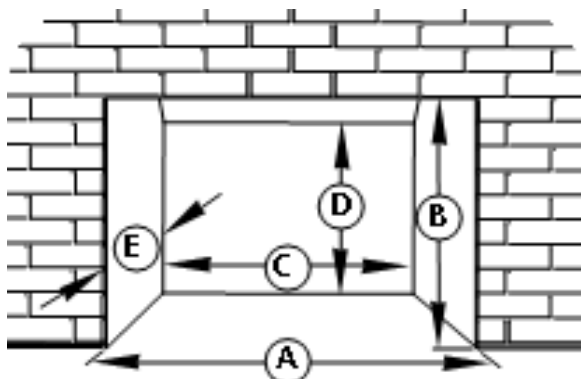


Fig. 2.

## Make a Footprint Template - C 350 Winterport

### Materials:

- Foam Core or Cardboard
- Utility Knife
- Tape Measure
- Straight Edge
- Marker

1. Trim the board to a rectangle measuring 27 3/4" x 16 1/2". (704mm x 419mm)
2. Draw a centerline at 13 7/8" (352mm).
3. Mark the rear corners at 11 3/8" (289mm) to the left and right of center.
4. Measure and mark 3" (76mm) from the front corners on each side. Draw a cut-line from those marks to the rear corner marks and trim the sides along those cut-lines.
5. Tape this instruction sheet to the template for future reference.

