

Illustrated Part Breakdown

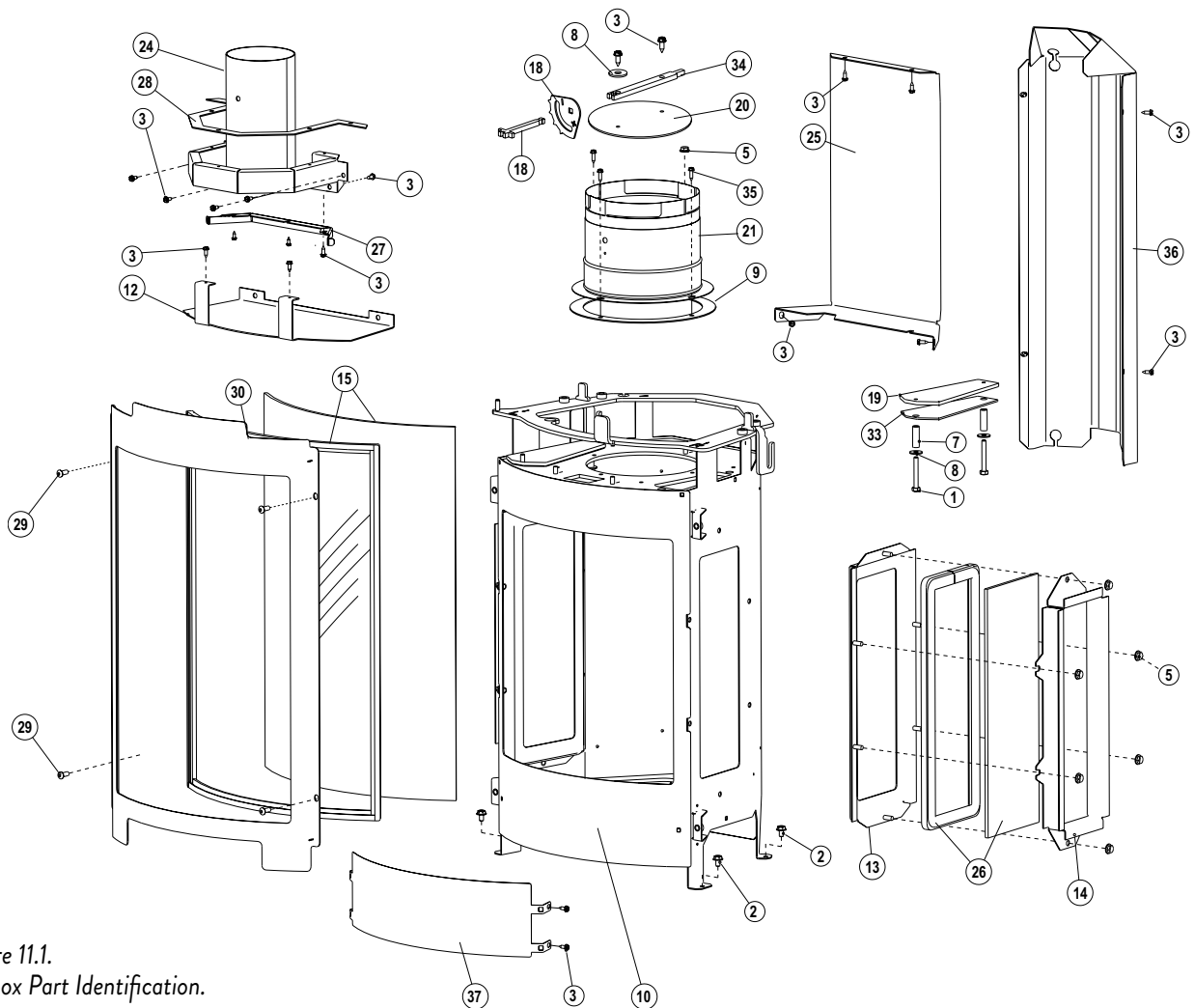


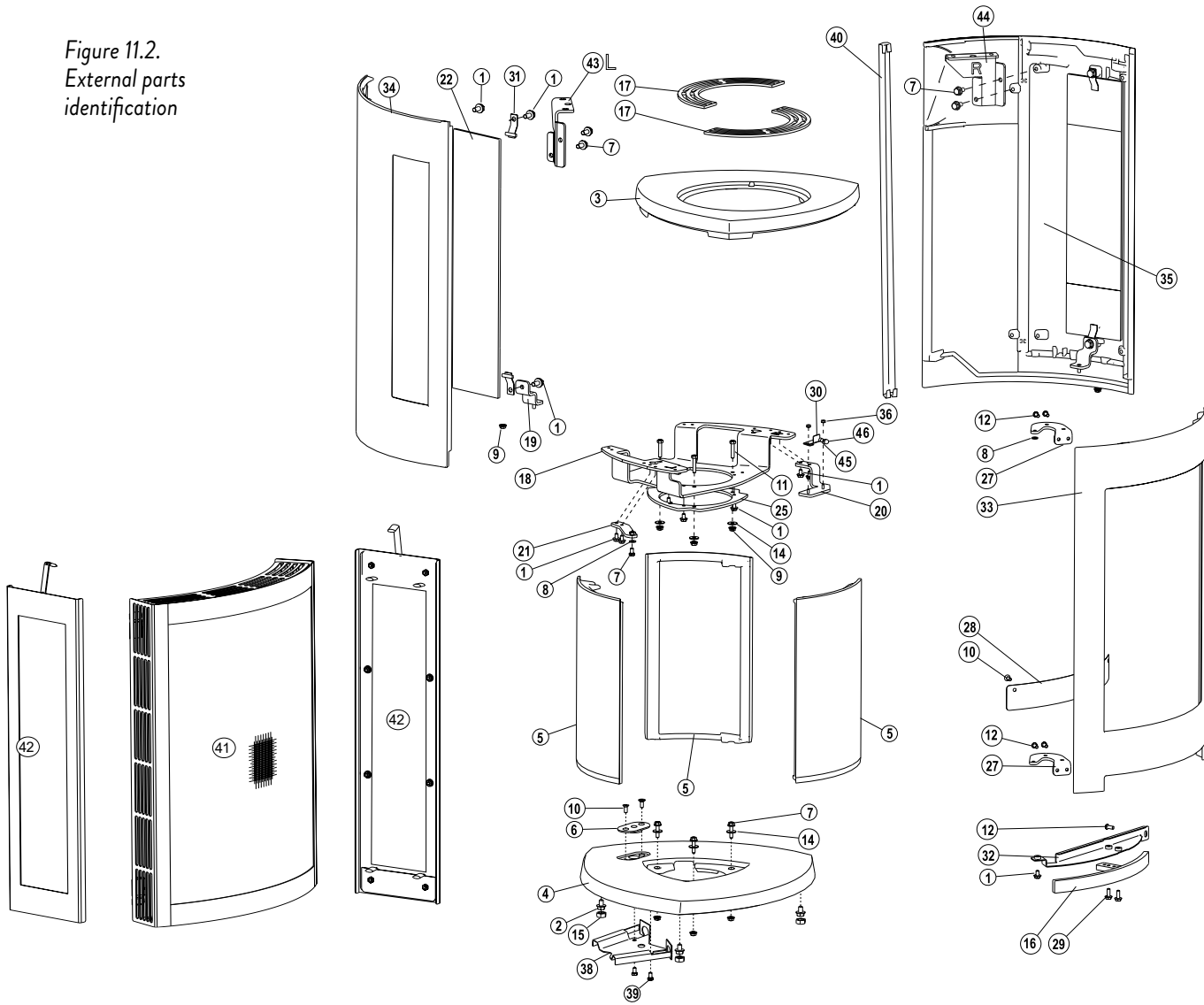
Figure 11.1.
Firebox Part Identification.

No.	Part Number	Description	No.	Part Number	Description
1	9911	Bolt, Hex Cap, M6x45, DIN 933, Class 8.8, Blk	21	22298392	Simpson DV II Starter Collar, GF 370, MB
2	9962	Bolt, Hex Cap M6x10 DIN 933 8.8 Ser Flange Blk	24	223202	Intake Manifold, GF 370
3	117917	Screw, HWH SMA 8 x 1/2 SL Blk Oxide	25	22320592	Burner Skirt, Rear, GF 370, MB
5	117968	Nut, M6 Serrated Flange plain	26	156834	Replacement Inner Side Glass & Gasket, GF 370
6	117978	Screw, Button Head Socket M6X10 Blk	27	22324392	Panel Retainer, GF 370
7	118267	Spacer, .375 O.D. x 1.50	28	223295	Gasket, Intake Manifold, GF 370
8	120004	Washer, Fender M6 DIN 9021B Zinc	29	118201	Screw, Button Head Socket, M6 X 16, Blk
9	129118	Gasket, Starter	30	22259292	Glass Frame, Curved, GF 370, MB
10	222580	Firebox Weldment, GF 370	33	222993	Gasket, Relief Door, GF 370
12	22258892	Baffle, Firebox, GF 370, MB	34	225403	Inner Rod, Exhaust Restrictor
13	22258992	Glass Frame, Side, Inner, GF 370, MB	35	118090	Screw, HWH SMA 8 x 5/8 SL Zinc
14	22273592	Glass Shade, Side, GF 370, MB	36	22321992	Shroud, Rear, GF 370, MB
15	156833	Replacement Front Glass & Gasket, GF 370	37	22328292	Firebox Cover, GF 370, MB
18	22298092	Restrictor Indicator Washer	38	225402	Outer Rod, Exhaust Restrictor
19	222981	Delay Door, GF 370	39*	223224	Skamol, Rear Panel
20	222982	Restrictor Plate, GF 370	40*	223235	Skamol, Side Panel, 2

No. Part Number Description

* not illustrated

Figure 11.2.
External parts
identification



No.	Part Number	Description
1	117874	Bolt, Hex Hd M8 x 16 Ser Flange, Blk
2	99115	Bolt, Hex Hd M8 x 12 Ser Flange, Blk
3	10447092	Top Plate, Matte Black Paint
4	10431992	Pedestal Base, Matte Black Paint
5	10448892	Pedestal Side, Matte Black Paint
6	10453692	Access Cover, Matte Black Paint
7	118019	Bolt, Hex Hd Serr Flange M6 x 25 Blk
8	117947	Washer, Flat M6 -.062 DIN 125A Plain
9	117968	Nut, M6 Serrated Flange plain
10	117976	Screw, Flat Head Phillips M6 X 12 M/S Blk
11	9906	Bolt, Hex Cap, M6x30, DIN 933, Class 8.8, Blk
12	117978	Screw, Button Head Socket M6 x 10 Blk
14	120004	Washer, Fender M6 DIN 9021B Zinc
15	222664	Protection Cap, M8 Hex, Black
16	222729	Door Handle, Plated, GF 370
17	22299592	Top Grill, GF 370, MB
18	222998	Bracket, Firebox Mount, GF 370
19	222999	Bracket, Side Support, GF 370
20	22320792	Bracket, Door Catch, GF 370, Matte Black
21	156843	Lower Door Hinge Assy. GF 370, MB
22	156835	Replacement Outer Side Glass, GF 370
25	223220	Plate, Centering, GF 370

No.	Part Number	Description
27	22558492	Hinge, Door, MB
28	223236	Label, Caution,
29	99625	Bolt, Hex Head Serr Flange M6x16 8.8 Blk
30	226632	Bracket, Magnetic Catch, GF 370/373
31	156837	Replacement Outer Side Glass Clip Ass'y.
32	22328592	Bracket, Handle, MB
33	10446392	Door, Matte Black Paint
34	10446492	Side Plate, Left, Matte Black Paint
35	10446592	Side Plate, Right, Matte Black Paint
36	118055	Kepnut, M4, Ext. Tooth Lockwasher, Stl, Zinc
37	22383292	Rear Cover, MB
38	224201	Gas Line Retainer
39	118236	Screw, M6 x 20
40	22385292	Rear Seam Molding, Matte Black Paint
	223852WHP	Rear Seam Molding, White Paint
41	157765	Front Safety Barrier Screen
42	157766	Side Safety Barrier Screen
43	226313	Side Plate Mounting Bracket, Left
44	226314	Side Plate Mounting Bracket, Right
45	225338	Magnet, .375" Dia x .25", Neo High Temp
46	224909	Cap, Silicone, .375" ID x .250" DP

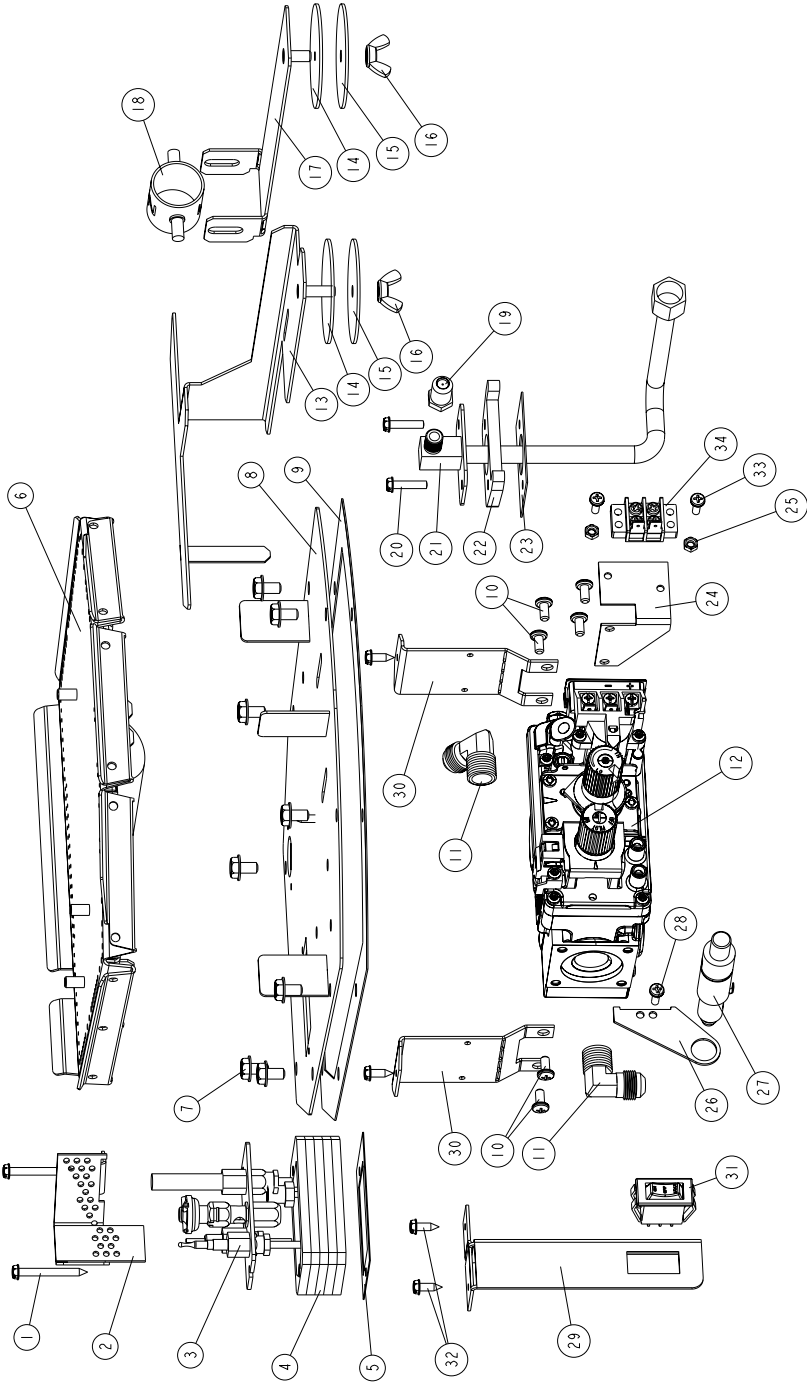
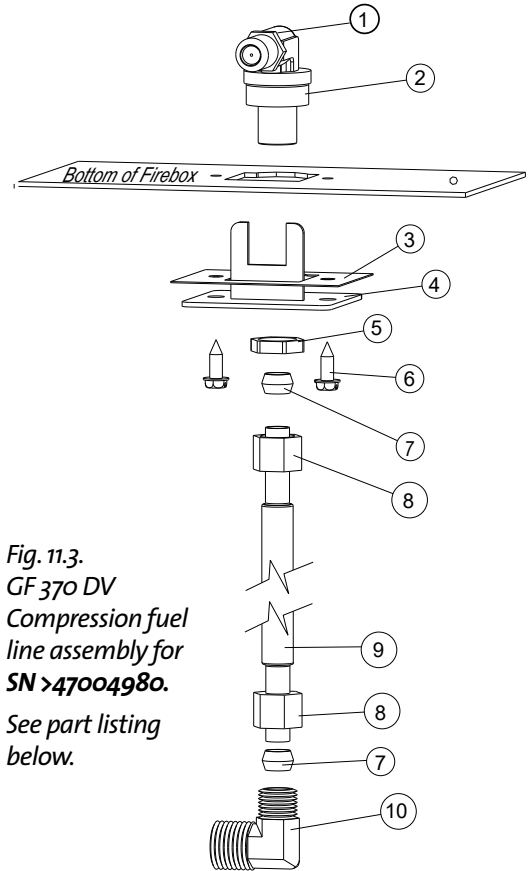


Figure 11.3.
GF 370 DV MV Spud assembly parts identification

No.	Part Number	Description
1	118218	Screw, HWH SMA 8 x 1.5" SL Zinc
2	223204	Pilot Air Deflector, GF 370
3	129471	Pilot Assembly, NG, 820 Valve
4	226927	Pilot Spacer, .94" H, GF 370 SP/MV
5	129670	Gasket, Pilot Assembly
6	156812	Burner Weldment, GF 370
7	9962	Bolt, Hex Cap M6x10
8	226926	Spud Plate Weldment, GF 370 SP/MV
9	225581	Gasket, Spud Plate, GF 370 DVII
10	117911	Screw, Pan Head, Phillips, 10-32x3/8"
11	222292	Elbow, 90 deg, Brass 3/8 NTP X 3/8" Flare
12	226946	Valve, NG, 30% TD, 3.5" WC, W/POD
13	222987	Intake Restrictor, GF 370
14	220734	Gasket, 2.25" OD x 188" ID x .125"
15	118023	Washer, Fender .250 x 2.250
16	117975	Nut, Wing M6 Zinc
17	223201	Handle, Primary Air, GF 370
18	221390	Primary Air Shutter Asby
19	129130	Orifice, #38 / NG
20	220731	Orifice, #53, LP
21	117986	Screw, #8 X 3/4 SL HWH SMA ZINC
22	223231	Orifice Holder, Drop In, 12.5" Tube
23	224132	Orifice Holder Spacer, GF 370
24	222280	Gasket, Drop In Orifice Holder
25	220614	Bracket, 2 Pole Terminal Block
26	117922	Nut, Hex M4, DIN 934, Plain
27	3902576	Igniter Bracket
28	3902573	Piezo Ignitor Button
29	117920	Screw, Pan Head, Phillips, M4 X 8
30	224799	Switch Plate, GF 373
31	225631	Valve Bracket, GF 373 Ver 2
32	129153	Switch, Rocker, SPDT, Blk, "ON-OFF-STAT"
33	117917	Screw, HWH SMA #8 x 1/2 SL Blk Oxide
34	117921	Screw, Pan Head, Phillips, M4 X 14, Blk
35	129154	Terminal Block, 2 Pole 77 series
36	223286	Center Log
37	223287	Right Log
38	223288	Left Log

Use only genuine Jøtul Replacement Parts available from your local Authorized Jøtul Dealer or by contacting:
 Jøtul North America
 55 Hutcherson Dr.
 Gorham, ME 04038
 207 591-6601



No.	Part Number	Description
1.	222292	Brass Elbow, 90° Orifice Holder,
2.	129668	Drop-in Orifice Holder
3.	226888	Gasket, Bottom-Mount Drop-in Holder
4.	226887	Bracket, Bottom-Mount Orifice Holder
5.	129152	Jam Nut, Orifice Holder Asy
6.	117917	Screw, #8 x 1/2" SM Blk Ox
7.	129463	Compression Sleeve, 5/16"
8.	129464	Compression Nut, 5/16"
9.	221769	Fuel Line, 10" x 5/16" ID Flex Tube
10.	129129	Brass Elbow, 90° 3/8 NTP x 5/16"

