

**Jøtul GF 520 DV**  
and  
**Jøtul GF 520 DV MV**  
Direct Vent Gas Stove

# Installation and Operation Instructions

Certified to ANSI Z21.88-2019 • CSA 2.33-2019  
and CAN/CGA 2.17-M17.

**INSTALLER:** Leave this manual with the appliance.  
**OWNER:** Retain this manual for future reference.

**WARNING:** If the information in these instructions is not followed exactly, a fire or explosion may result causing property damage, personal injury or loss of life.

- Do not store or use gasoline or other flammable vapors and liquids in the vicinity of this or any other appliance.
- **WHAT TO DO IF YOU SMELL GAS**
  - Do not try to light any appliance.
  - Do not touch any electrical switch; do not use any phone in your building.
  - Leave the building immediately.
  - Immediately call your gas supplier from a neighbor's phone. Follow the gas supplier's instructions.
  - If you cannot reach your gas supplier, call the fire department.
- Installation and service must be performed by a qualified installer, service agency or the gas supplier.
- In the Commonwealth of Massachusetts, a carbon monoxide (CO) detector shall be installed in the same room as the appliance.

This appliance may be installed in an aftermarket, permanently located, manufactured home or mobile home, where not prohibited by local codes.

This appliance is only for use with the types of gas indicated on the rating plate. A conversion kit is supplied with the appliance.

**⚠ DANGER**



**HOT GLASS WILL  
CAUSE BURNS.  
DO NOT TOUCH GLASS  
UNTIL COOLED.  
NEVER ALLOW CHILDREN  
TO TOUCH GLASS.**

A barrier designed to reduce the burn hazard from the glass viewing area is provided with this appliance and shall be installed for the protection of children and other at-risk individuals.

THIS OWNER'S MANUAL PROVIDES INFORMATION TO ENSURE SAFE INSTALLATION AND EFFICIENT, DEPENDABLE OPERATION. PLEASE READ THESE INSTRUCTIONS IN THEIR ENTIRETY AND MAKE THEM AVAILABLE TO ANYONE USING OR SERVICING THE APPLIANCE.

DO NOT ATTEMPT TO ALTER OR MODIFY THE CONSTRUCTION OF THIS APPLIANCE OR ITS COMPONENTS. ANY MODIFICATION OR ALTERATION WILL VOID THE WARRANTY, CERTIFICATION AND LISTING OF THIS APPLIANCE.

THIS APPLIANCE MUST BE INSTALLED AND MAINTAINED BY A QUALIFIED SERVICE TECHNICIAN OR AGENCY.

### Suggested Tools for Installation and Service

- External regulator (for Propane only)
- Piping which complies with local code
- Manual shut-off valve - T-Handle required in Massachusetts
- Sediment trap - if required by code
- Tee joint
- Pipe wrench
- Pipe sealant
- 10 mm open end wrench
- 1/2", 7/16" open end wrench
- Phillips head screwdriver
- Flat head screwdriver
- 1/4" nut driver
- Gloves
- Safety glasses
- Torx T-20 screwdriver for Fuel Conversion

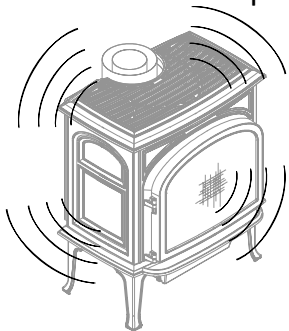
### PLEASE NOTE:

#### Initial Break-in

It is normal for smoke and odor to occur during the initial stages of operation, depending upon temperatures generated over time. This "curing" condition can be alleviated by promoting fresh air circulation within the immediate vicinity of the appliance. Please see page 23 for further information.

#### Operation Sound

Please be aware that cast iron and steel components expand and contract with temperature fluctuations that are often



accompanied by "creaking" or "pinging" sounds. This is the result of natural thermal activity.

The optional blower fan will also generate a slight hum at the low setting and progressively increase with the velocity of forced air.

### Installation Requirements for the Commonwealth of Massachusetts

THIS PRODUCT MUST BE INSTALLED BY A LICENSED MASTER OR JOURNEYMAN PLUMBER OR GAS-FITTER WHEN INSTALLED IN THE COMMONWEALTH OF MASSACHUSETTS.

1. If there is not one already present, on each floor level where there are bedroom(s), a carbon monoxide detector and alarm shall be placed in the living area outside the bedroom(s). The carbon monoxide detector shall comply with NFPA 720 (Current Edition).
2. A carbon monoxide detector shall:
  - a) Be located in the room that houses the appliance or equipment;
  - b) Be either hard-wired or battery powered or both; and
  - c) Shall comply with NFPA 720 (Current Edition).
3. A Product-approved vent terminal must be used, and if applicable, a Product-approved air intake must be used. Installation shall be in strict compliance with the manufacturer's instructions. A copy of the installation instructions must remain with the appliance or equipment at the completion of the installation.
4. A Manual gas supply line shut-off valve must be installed.

Canada	
<b>ENERGUIDE</b>	
Gas Fireplace Energy Efficiency Rating	
Natural Gas	/ 63.49%
Propane	/ 64.61%
<i>Based on CSA P.4.1-15</i>	
Model No. Jøtul GF 520 DV MV	



Canada	
<b>ENERGUIDE</b>	
Gas Fireplace Energy Efficiency Rating	
Natural Gas	/ 61.47%
Propane	/ 62.15%
<i>Based on CSA P.4.1-15</i>	
Model No. Jøtul GF 520 DV	



# Table of Contents

1. Specifications.....	4
2. Initial Assembly .....	5
3. General Information.....	6
4. Safety Information .....	6
5. Installation Requirements.....	7
Floor Protection .....	7
Clearances .....	7-8
6, Vent Requirements .....	9
Vertical Termination.....	11
Horizontal Termination.....	11-13
7. Fuel Conversion .....	14-18
8. Gas Connection .....	18
9. Gas Pressure.....	19
10. High Altitude Adjustment .....	19
11. Optional Equipment .....	20
Firebox Panel Kits .....	20
12. Burner Media Installation	
Log Set .....	21
River Rocks .....	22
Tumbled Stones.....	22
Glass .....	22
13. System Check .....	23
14. Flame Picture Adjustment .....	24
15. Operation Guidelines.....	25
Manual Operation.....	26
16. Maintenance .....	31
Annual Cleaning .....	31
Glass Care & Replacement .....	31
Safety Screen Replacement .....	33
Battery Replacement .....	34
17. Appendix .....	35
Illustrated Parts Lists .....	36-39
18. Warranty Statement .....	44
19. Lighting Instructions .....	45

## Jøtul GF 520 DV

### Direct Vent Gas Heater

Manufactured and Distributed by:

Jøtul North America

55 Hutcherson Dr.

Gorham, Maine 04038

### Certified Test Standards

This appliance complies with National Safety standards and is tested and listed by

Intertek Testing Services of Middleton, Wisconsin to ANSI Z21.88-2019 • CSA 2.33-2019, “Vented Gas Fireplace Heater” and CAN/CGA 2.17-M17.

NATIONAL  
FIREPLACE  
INSTITUTE



CERTIFIED  
www.nficertified.org

We recommend that our gas products be installed and serviced by professionals who are certified in the U.S. by the National Fireplace Institute® (NFI) as NFI Gas Specialists.



#### WARNING:

READ AND UNDERSTAND ALL OPERATING INSTRUCTIONS BEFORE ATTEMPTING TO OPERATE THIS APPLIANCE. DO NOT ALLOW ANYONE TO OPERATE THIS APPLIANCE WHO HAS NOT READ AND UNDERSTOOD THESE INSTRUCTIONS.

KEEP THE REMOTE CONTROL TRANSMITTER WHERE CHILDREN CANNOT REACH IT.



#### WARNING:

FIRE HAZARD. CAN CAUSE SEVERE INJURY OR DEATH. THE APPLIANCE CAN TURN ON SUDDENLY. KEEP AWAY FROM THE APPLIANCE BURNER WHEN OPERATING THE REMOTE SYSTEM.



#### WARNING:

SEVERE INJURY. THIS APPLIANCE CAN BE SET TO OPERATE THERMOSTATICALLY. BE AWARE THAT THE STOVE MAY BE VERY HOT EVEN WHEN THE BURNER IS NOT APPARENTLY OPERATING. KEEP CHILDREN AWAY FROM THE APPLIANCE.

# 1. Specifications

## Input Rates

### Natural Gas

16,500 BTU/hr. minimum input  
30,000 BTU/hr. maximum input

### Propane

16,500 BTU/hr. minimum input  
29,000 BTU/hr. maximum input

Inlet Pressure:	MIN	MAX
Natural Gas:	5.0 WC (1.25 kPa)	7.0 WC (1.74 kPa)
Propane:	12.0 WC (3.0 kPa)	14.0 WC (3.48 kPa)

Manifold Pressure:	MIN	MAX
Natural Gas:	1.12 WC (.3 kPa)	3.80 WC (.95 kPa)
Propane:	2.9 WC (.72 kPa)	11.0 WC (2.74 kPa)

- Steady State Efficiency: 70.01% NG / 71.72% LP
- CSA P4. 1-15 Fireplace Efficiency:
 

GF 520 DV	NG - 61.47%	LP - 62.15%
GF 520 DV MV	NG - 63.49%	LP - 64.61%
- Factory Air Shutter Open Settings: NG - 1/16" LP - 1/8"
- On Demand Pilot Mode (DV MV Only)
- Ambient Temperature Range: 32 -122°F (0 - 50°C)

## Miscellaneous Hardware Bag Contents

- Fuel Conversion Kit , LP .....158329
- Rock Wool Embers, 1 oz. .... 157259
- GF 520 DV Manual..... 130139
- Rear Intake Air Diverter .....226861
- Sheet Metal Screws, 2.....117917

## Options & Accessories

- Beach Fire Log Set .....158263
- Black Reflective Panel.....158342
- Fluted Liner.....158228
- Fuel Conversion Kit , LP .....158329
- Fuel Conversion Kit, NG - ..... 158330
- Optional Blower Kit.....158333

**SAFETY BARRIER SCREEN**

The front door and side glass panels of this appliance are equipped with integrated Certified Safety Barrier Screens which must remain installed at all times. Should a screen become damaged, contact your authorized Jøtul dealer for original equipment replacement assemblies.

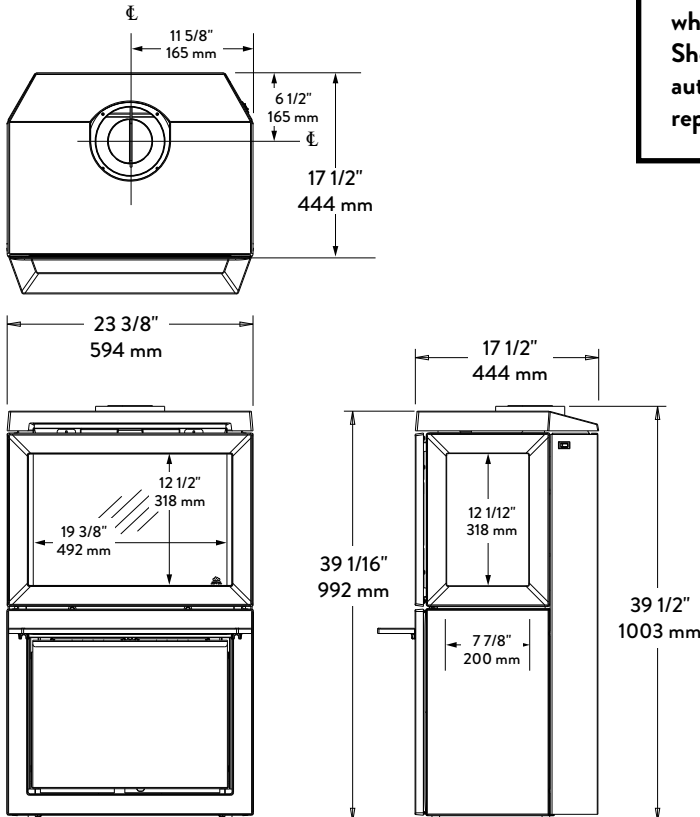


Figure 1.1 Dimensioned views, GF 520 DV

## 2. Initial Assembly

**STOP! FOR EASIEST ACCESS, INSTALL FUEL CONVERSION AND FIREBOX PANELS BEFORE REMOVING THE STOVE FROM THE PALLET.**



The stove is heavy.  
**DO NOT DRAG THE STOVE.**  
Have assistance available to move the stove into position. Place removed parts on a blanket, towel, or other protective material.

### Unpacking the Stove

EXCEPT AS NOTED, ALL INSTRUCTIONS ARE ORIENTED FACING THE FRONT OF THE STOVE.

#### 1. Open the Firebox

Remove the Top Plate and set aside.

Remove the Front Plate by lifting it up off of the front plate hooks. See fig. 2.1.

- Remove the Latch Tool from the shipping pallet and use it to remove the Glass Panel by pulling the two latch hooks out to disengage them from the glass frame. Fig. 2.2.
- Tilt the glass frame forward, then lift it straight up and out of the spring glass retainer.

#### 2. Remove the Miscellaneous Hardware kit from the firebox and inspect the contents. Refer to the list on the previous page and contact your dealer if any items are missing.

#### 3. Optional Equipment and Burner Media: See Sections 10 and 11 for specific installation instructions.

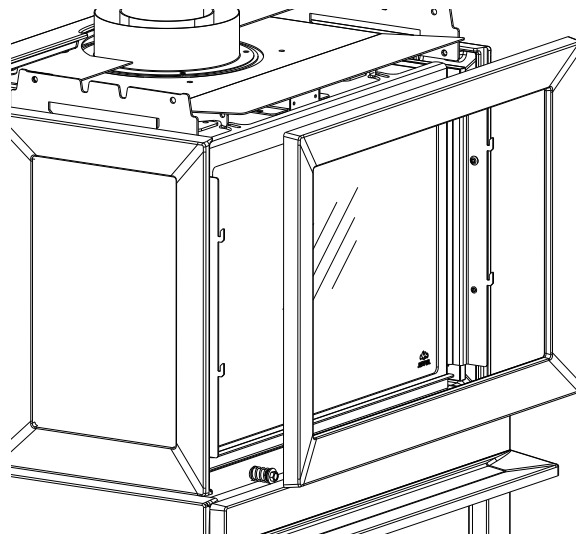


Figure 2.1 Remove Front Plate.

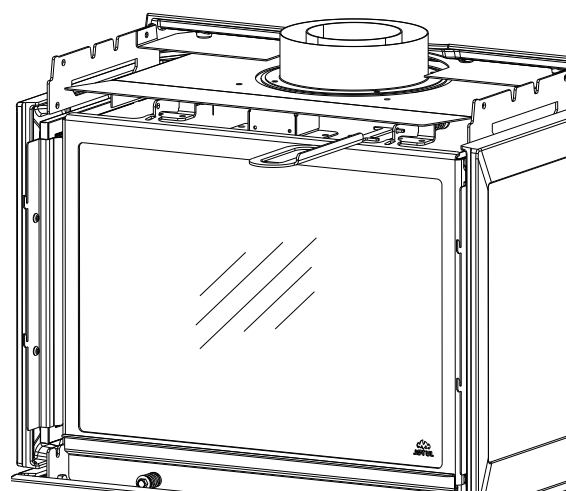


Figure 2.2 Disengage the glass frame latches to open the firebox.

**RE-INSTALL THE TOP PLATE BEFORE CONNECTING VENT PIPE TO THE STOVE.**

## 3. General Information

### ■ THIS HEATER MUST BE INSTALLED AND MAINTAINED BY A QUALIFIED SERVICE AGENCY.

■ The installation and repair of this appliance must be done by a qualified service person. Failure to properly install and maintain this heater could result in an unsafe or hazardous installation, which may result in a fire, explosion, property damage, personal injury or loss of life.

■ This appliance should be inspected before use and at least annually. More frequent cleaning may be required due to excessive lint from carpeting, bedding material, etc. It is imperative that control compartments, burners, and circulating air passageways of the appliance be kept clean. See Maintenance section for details.

### ■ THIS APPLIANCE MUST NOT BE CONNECTED TO A CHIMNEY OR FLUE SERVING ANY OTHER APPLIANCE.

■ The installation must conform to local codes. Your local Jøtul dealer can assist you in determining what is required in your area for a safe and legal installation. Some areas require a permit to install a gas burning appliance. Always consult your local building inspector, or authority having jurisdiction, to determine what regulations apply in your area.

■ **CODE COMPLIANCE** : Your local officials have final authority in determining if a proposed installation is acceptable. Any requirement that is requested by the local authority having jurisdiction, that is not specifically addressed in this manual, defaults to local code. In the absence of local codes, the installation requirements must comply with the current edition of National codes. In the U.S., these requirements are established in the National Fuel Code, ANSI Z223.1.(NFPA 54) current edition. In Canada, the codes have been established in CAN/CGA B149 Fuel Installation Code, current edition.

■ The appliance, when installed, must be electrically grounded in accordance with local codes or, in absence of local codes, with the National Electrical Code, ANSI/NFPA 70, or the Canadian Electrical Code, CAN/CSA C22.1.

■ **CAUTION:** Label all wires prior to disconnection when servicing controls. Wiring errors can cause improper and dangerous operation.

Verify operation after servicing.

■ **DO NOT OPERATE THIS STOVE IF ANY PART HAS BEEN UNDER WATER.** Call a qualified service technician to inspect the heater and to replace any part of the control system and any gas control which may have been under water.

## 4. Safety Information

■ Due to the high operating temperatures this appliance should be located out of traffic and away from furniture and draperies. Maintain proper clearance to combustible mantels and fireplace trim.

■ Children and adults should be alerted to the hazards of high surface temperatures and should stay away to avoid burns or clothing ignition.

■ Young children should be supervised while they are in the same room as the appliance. Toddlers, young children and others may be susceptible to accidental contact burns. A physical barrier, such as a child guard, is recommended to be used if there are at-risk individuals in the house. To restrict access to a fireplace or stove, install an adjustable safety gate to keep toddlers, young children and other at-risk individuals out of the room and away from hot surfaces.

■ This appliance includes permanent, integrated safety barriers designed to reduce the risk of burns from the hot viewing glass. These barriers shall remain installed for the protection of children and other at-risk individuals.

The appliance must not be operated with the front door open or ajar.

■ A damaged screen barrier must be replaced only with Jøtul GF 520 Front Replacement Screen 226647, or Side Replacement Screen 226648, available from any Jøtul Authorized Dealer.

■ Any safety screen, guard, or barrier removed for servicing an appliance must be replaced prior to operating the appliance. See maintenance instructions.

■ Clothing or other flammable materials should not be placed on or near the fireplace.

■ Never allow anyone to use the fireplace if they are unfamiliar with its operation.

■ NEVER store or use gasoline or any other flammable vapors or liquids in the vicinity of this appliance.

■ Never burn any solid materials (wood, cardboard, paper, coal, etc.) in this appliance. Use with natural gas or propane fuel ONLY.

■ Do not slam or strike the glass panel.

■ This appliance is NOT for use with aftermarket glass doors.

■ Wear gloves and safety glasses while installing or performing maintenance procedures on this appliance.

## 5. Installation Requirements

### Location

In selecting a location for the stove, consider the following points:

- 1) Heat distribution
- 2) Vent termination requirements
- 3) Gas supply line routing
- 4) Traffic areas, furniture, draperies, etc.

The stove may be located on or near conventional construction materials, however, proper clearance to combustibles must be maintained in order to provide adequate air circulation around the appliance. Also, it is important to provide adequate access around the stove for servicing and operation.

The clearance and hearth specifications listed in this manual are the minimum requirements for combustible material. A combustible material is anything that can burn (i.e. sheet rock, wall paper, wood, fabrics etc.). These surfaces are not limited to those that are visible and also include materials that may be located behind non-combustibles.

If you are not sure of the combustible nature of a material, consult your local fire officials. Remember, "Fire Resistant" materials are considered combustible: they are difficult to ignite, but will burn. Also, "fire-rated" sheet rock is considered combustible.

### Floor Protection

The Jøtul GF 520 DV has been approved for installation directly on combustible floor materials. No additional floor protection is required, however, we recommend that the stove be installed on a non-compressible, solid surface.



**WARNING:**  
 INSTALLING THIS STOVE ON A  
 COMPRESSIBLE SURFACE SUCH  
 AS A THICK CARPET OR FOAM  
 FLOOR MAT WILL CAUSE THE STOVE  
 TO SETTLE AFTER INSTALLATION WHICH MAY  
 CREATE LEAKS IN THE VENTING SYSTEM!

### Stove and Vent Clearance Requirements

Minimum Clearances from the Stove to Combustibles:

		Measured from:
Rear:	1 1/2" (38 mm)	Rear Shroud
Ceiling:	21" (534 mm)	Top Plate
Corner:	3 3/8" (86 mm)	Side Plate
Side:	10" (254 mm)	Side Plate

Minimum Clearances between Vent Pipe and Combustible Materials:

Horizontal Run:

Off the top of the pipe	2" (51 mm)
Off the sides and bottom	1" (25 mm)

Vertical Run:

All sides	1" (25 mm)
-----------	------------

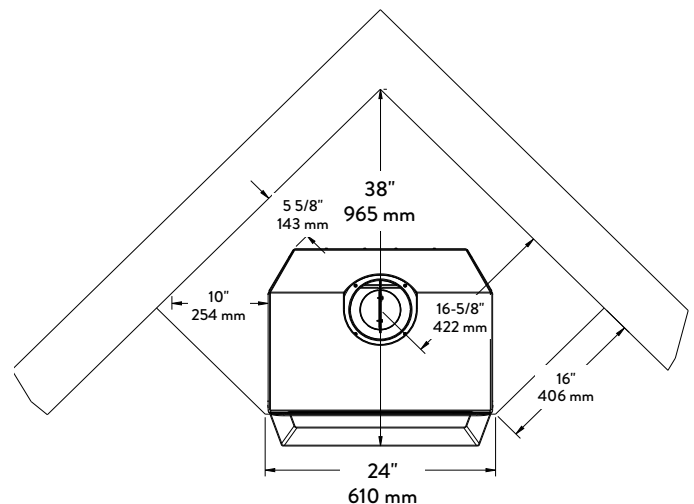


Figure 5.1. Corner Wall clearances.

### Alcove Installation

- Maximum Alcove Depth: 24" (607 mm)
- Minimum Alcove Width\*: 44" (1118 mm)
- Minimum Alcove Ceiling Height from floor: 82" (2083 mm)

\* Alcove clearances are determined through testing in specific construction configurations which often result in greater clearances than an open stove installation.

### Clearance to Combustible Materials Above Stove

Minimum Mantle Height from floor: 59 7/8" (1521 mm) with 24" (610 mm) maximum mantle depth.

### Distance to Gas Supply

Suggested gas supply location is within 12" of the rear of the center line of the stove.

### Distance to Electrical Supply

A grounded permanent electrical supply should be installed within 6 ft. of the center line of the exhaust pipe.

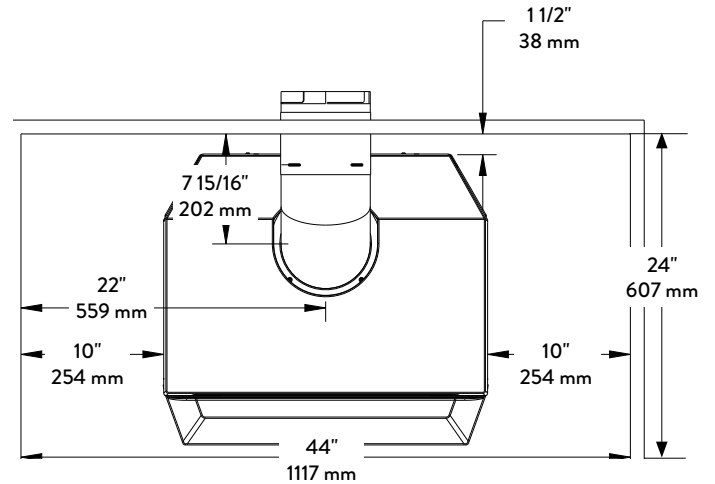


Figure 5.2 Alcove Clearances.

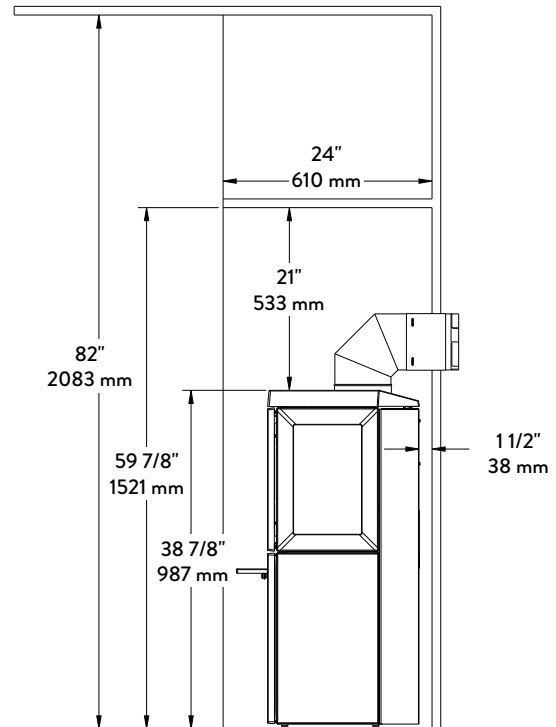


Figure 5.3. Mantel and Ceiling Clearances.



## Mobile Home Installation

The GF 520 DV is approved for installation in a mobile home in the U.S. and Canada with the following requirements:

- The stove must be secured to the floor of the mobile home.
- Provision must be made to secure an electrical ground between the stove and the mobile home chassis.
- The stove must be installed in accordance with Title 24 CFR, Part 3280-Manufactured Home Construction and Safety Standard in the U.S.  
In Canada, comply with CSA Z240.4, Gas Equipped Recreational Vehicles and Mobile Housing.
- Always contact your local officials about installation restrictions and requirements in your area.

**THIS APPLIANCE MAY BE INSTALLED AS AN OEM INSTALLATION IN A MANUFACTURED (MOBILE) HOME AND MUST BE INSTALLED IN ACCORDANCE WITH THE MANUFACTURER'S INSTRUCTIONS AND THE MANUFACTURED HOME CONSTRUCTION AND SAFETY STANDARD, TITLE 24 CFR, PART 3280. THIS APPLIANCE IS ONLY FOR USE WITH THE TYPE OF GAS THAT IS INDICATED ON THE STOVE'S RATING PLATE. A GAS CONVERSION KIT IS PROVIDED WITH THE GF 520 DV GAS STOVE.**

**THIS APPLIANCE MAY BE INSTALLED IN AN AFTERMARKET PERMANENTLY LOCATED, MANUFACTURED (MOBILE) HOME, WHERE NOT PROHIBITED BY LOCAL CODES.**

## Procedure

1. Using the two #12 x 3 1/2" screws used to secure the stove to the shipping pallet, secure the GF 520 DV to the floor of your mobile home through the two holes at the bottom of the base of the stove. If needed, longer hardware can be used.

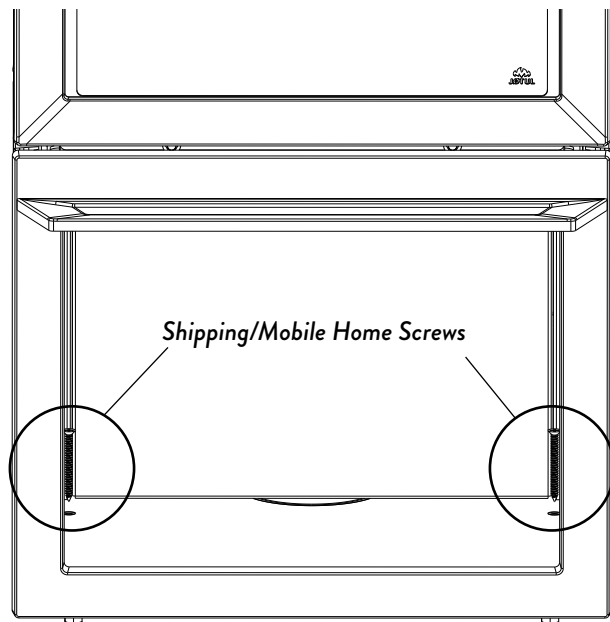


Figure 5.4  
Mobile Home Installation

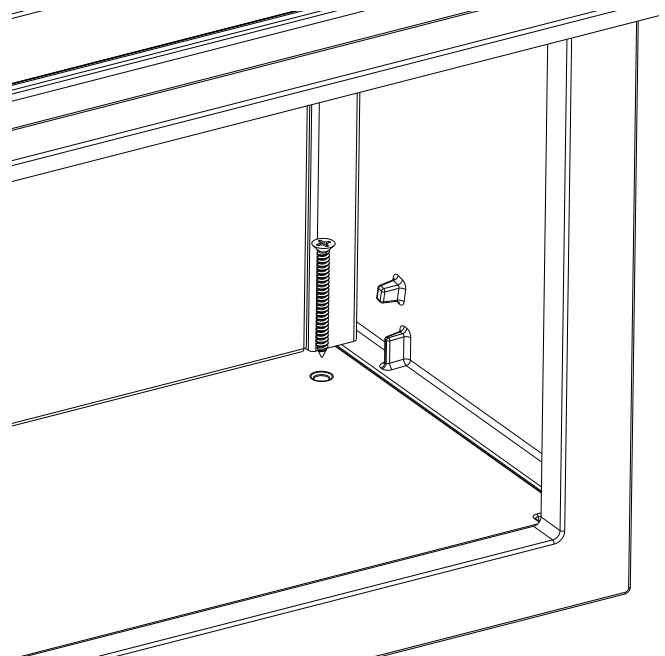


Figure 5.5  
Mobile Home Installation

## 6. Venting Requirements

The Jøtul GF 520 DV gas stove may be installed with a vertical or horizontal termination and must conform to the configuration requirements described below.

This appliance is approved for use with vent systems from the following manufacturers:

- DuraVent DirectVent Pro and GS Series
- American Metal Products (Amerivent)
- Security Chimneys International, Ltd. (Secure Vent)
- Selkirk Metalbestos (Direct Temp)
- Metal-Fab, Inc. (Sure-Seal Direct Vent)
- Industrial Chimney Corp. (ExcelDirect)
- Bernard Dalsin Mfg. (Pro Form)
- Olympia Chimney Supply, Inc. (Ventis Direct Vent)

Use parts of one manufacturer only - DO NOT MIX VENT COMPONENTS FROM DIFFERENT MANUFACTURERS IN THE SAME SYSTEM.

Installation of any components not manufactured or approved by Jøtul or failure to meet all clearance requirements will void all warranties and could result in property damage, bodily injury, or serious fire.

The approved vent configurations described in this manual are derived from extensive testing under controlled laboratory conditions. Gas appliance performance can be negatively affected by variables present in the installation environment, i.e: atmospheric pressure, strong prevailing winds, adjacent structures and trees, snow accumulation, etc. These conditions should be taken into consideration by the installer and stove owner when planning the vent system design.

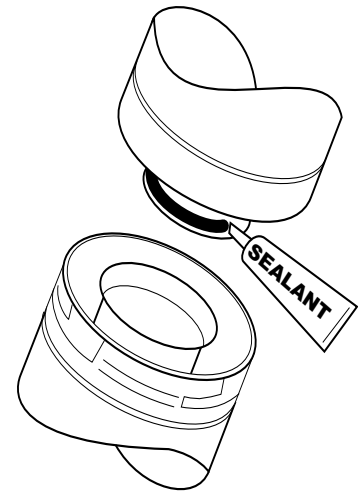
### IMPORTANT

- **JOINT SEALING REQUIREMENT: APPLY A 1/8" BEAD OF HIGH-TEMPERATURE SEALANT OR MIL-PAC® TO THE MALE SECTION OF THE INNER VENT PIPE. THE CEMENT SHOULD FORM A SEAL BETWEEN THE INNER AND OUTER PIPES.**
- **NEVER MODIFY ANY VENTING COMPONENT, OR USE ANY DAMAGED VENTING PRODUCT.**
- **THE GAS APPLIANCE AND VENT SYSTEM MUST BE VENTED DIRECTLY TO THE OUTSIDE OF THE BUILDING AND NEVER ATTACHED TO A CHIMNEY SERVING A SOLID FUEL OR GAS BURNING APPLIANCE. EACH DIRECT VENT GAS APPLIANCE MUST HAVE ITS OWN SEPARATE VENT SYSTEM. COMMON VENT SYSTEMS ARE PROHIBITED.**
- **IF THE VENTING SYSTEM IS DISASSEMBLED FOR MAINTENANCE OR ANY OTHER REASON, IT MUST BE PROPERLY REASSEMBLED AND RESEALED IN ACCORDANCE WITH THE ORIGINAL VENT MANUFACTURER'S INSTRUCTIONS.**

**CONFIRM THAT ALL INTERLOCKING JOINTS ARE TIGHTLY RE-SECURED AND THAT ALL SEALS ARE MAINTAINED INTACT.**

**REINSTALL ANY FASTENERS AND REPLACE AS NECESSARY.**

Figure 6.1.  
**DO NOT USE SILICONE SEALANT.**



**RE-INSTALL THE TOP PLATE BEFORE CONNECTING VENT TO THE STOVE.**

## Vent Restriction

The GF 520 DV is equipped with an Exhaust Restrictor Plate which enables regulation of the exhaust gas flow. The plate prevents overly-strong draft that can cause poor combustion and weak flame picture. **Follow the guidelines below and on the following pages to determine the correct restrictor plate setting for your particular installation.**

### Exhaust Restrictor

The Exhaust Restrictor plate is located on the rear of the firebox. It is adjusted by rotating the dial on the back shroud within a range beginning at the factory-set, fully open position (no restriction) to a fully restricted position. See Figs. 6.2 and 6.3. The Minus (-) and Plus (+) signs on the dial relate to degrees of restriction, from zero to approximately 70%. The three, lettered positions correlate to the termination zones (A,B,C) diagrammed in figure 6.2. Use the diagram to determine the degree of restriction and shutter setting that correlates to your vent configuration.

### Adjusting Exhaust Restrictor Plate:

1. Use a 1/4" nut driver to loosen the screw and then use the pivot tab to set the dial to the position appropriate to your termination zone. See figs. 6.2-6.4, page 11.
2. Re-tighten the screw after adjustment.

## Approved Horizontal and Vertical Vent Terminations

- ALL VENTING MUST TERMINATE (END) WITHIN ONE OF THE DESIGNATED AREAS.
- SET STOVE EXHAUST RESTRICTOR TO THE POSITION THAT CORRESPONDS TO THE VENT TERMINATION AREA IN THE MATRIX. When termination is exactly on a division line, use the less restrictive position. For example, if termination is 10 feet high and offset 7 feet, restriction should be set at Position B.
- Up to two 45° elbows or one additional 90° elbow is permitted in addition to the first elbow, however, a 5 foot reduction in horizontal length must be made for *each* additional elbow whether 45° or 90°.

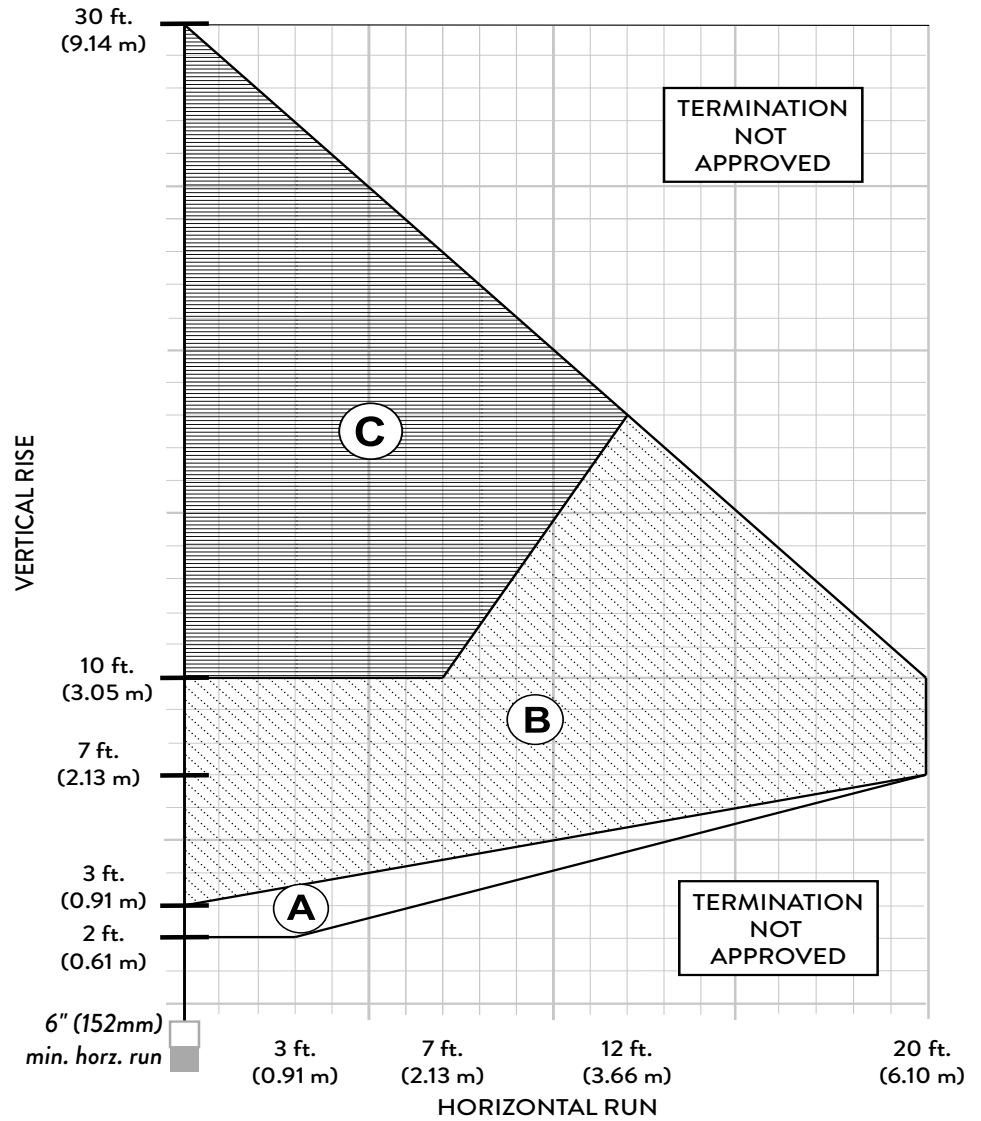


Figure 6.2.  
Vent Termination Restriction Zones - NG / LP.  
See also Snorkel Termination vent run restrictions, pg. 12.

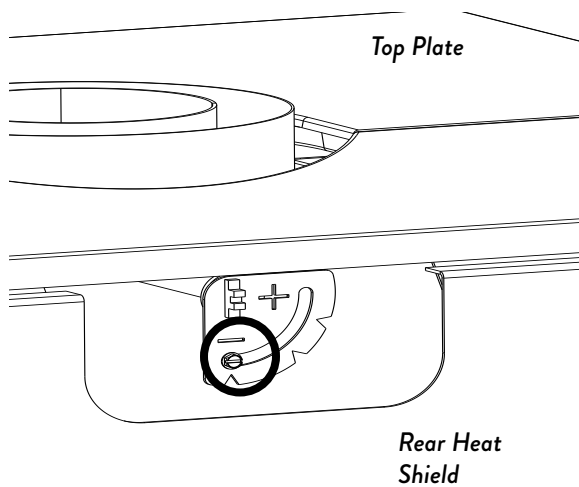


Figure 6.3.  
Use a 1/4" nut driver to loosen the Restrictor screw.

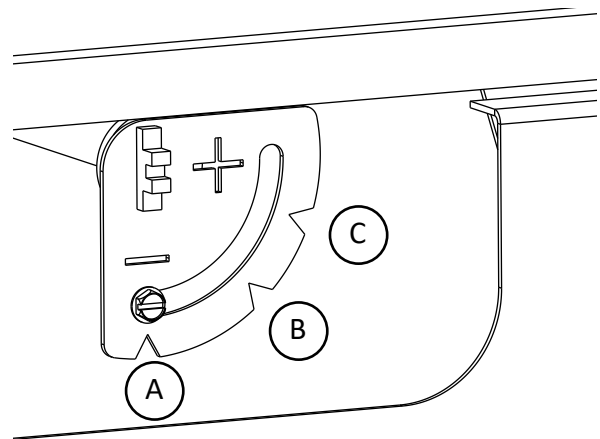


Figure 6.4.  
Determine the dial notch position appropriate to your vent configuration as designated in Fig 6.2. Pivot the dial to align the screw with that notch.

## Vertical Vent Termination

This appliance may be vertically vented through a ceiling or to a roof termination using the following guidelines:

- The termination should fall within the shaded areas of the grids depicted in the Vent Matrix, fig. 6.2, page 11.
- **Maximum Horizontal run is 20 ft. (152 cm)** See Fig. 6.2 for related termination zone limitations.
- **Minimum Vertical Termination is 6 ft. (183 cm).**
- **Total run, including offsets, must not exceed 30 ft. (9.14m).**
- **Vent Terminus Clearance:** In no case shall any discharge opening on the cap be less than 18 in. (457 mm) horizontally from the roof surface. See fig. 6.6.
- Steep roofs, nearby trees, and predominantly windy conditions can contribute to poor draft and/or promote draft reversal. Increasing the height of the vent may alleviate these conditions.
- Use Wall Straps to support an offset pipe run at intervals of three feet to avoid excessive stress on the offsets.
- A firestop is required at every floor. The floor opening should be framed to 10" X 10" inside dimension.
- Any venting that is exposed in living space above the first floor must be enclosed. Always maintain the required 1" clearance from all sides of the vertical vent system. Insulation in attic space must be retained by an insulation barrier.
- Allowable minimum vent run is 1' vertical with 6" horizontal.

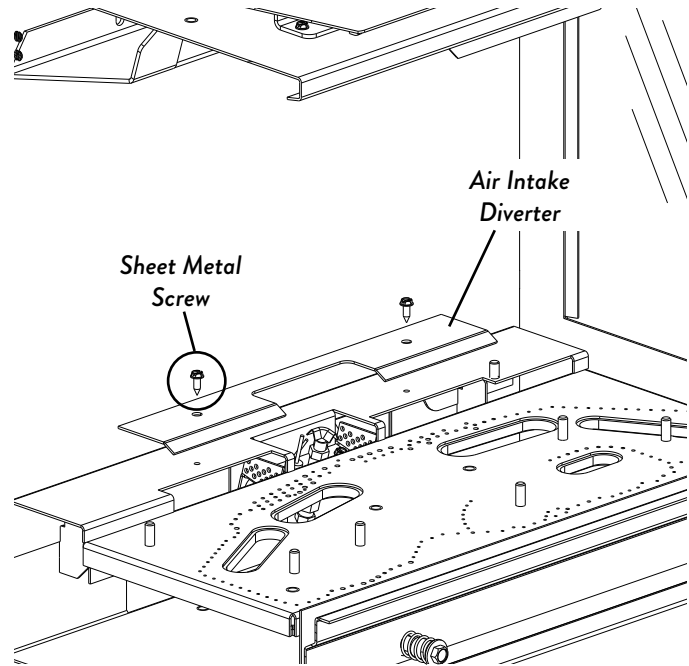


Figure 6.5.  
Install the Air Intake Diverter. NOTE: Install with the bends facing DOWN.

## Air Intake Diverter

The GF 520 DV comes with an Air Intake Diverter in the miscellaneous kit. This is to be installed in installations with a vertical installation greater than 10 ft, in installations with excessive draft conditions, or when the flame picture shows a flame with weak rear flame and a large front flame.

### Installation Instructions:

Using a 1/4" driver, use the two sheet metal screws provided in the misc. kit to secure the Air Diverter to the Rear Burner Skirt. Install the Air Diverter with the bends facing downward. See fig. 6.5.

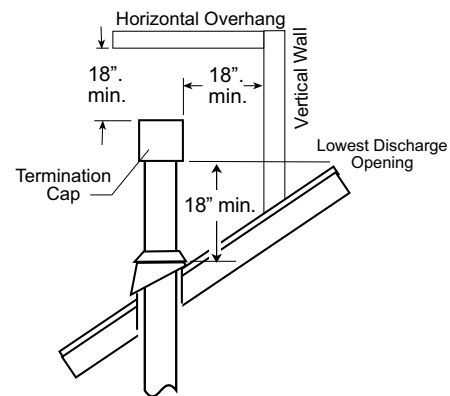


Figure 6.6.  
Vertical vent termination height above roof.

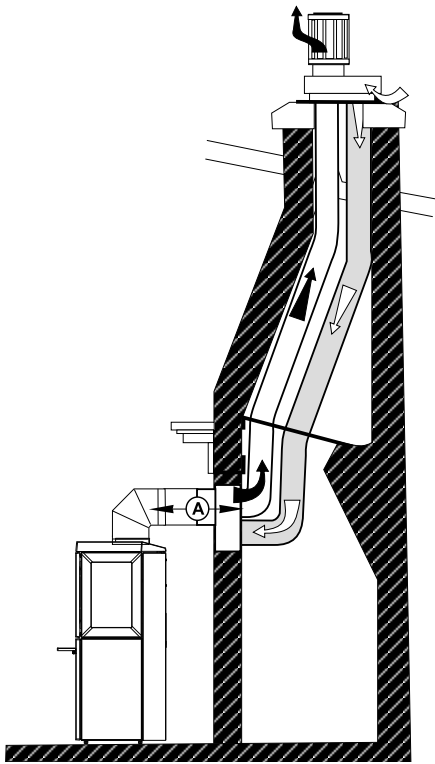


Figure 6.6. Co-linear Termination is permitted with 2 foot (62 cm) maximum horizontal run (A).

**RE-INSTALL THE TOP PLATE BEFORE CONNECTING VENT TO THE STOVE.**

## Horizontal Termination

- Any horizontal termination must fall within the shaded portion of the vent window matrix shown in fig. 6.2.
- Any horizontally-terminated vent run must include a minimum 12" (61 cm) vertical rise with a minimum 6" horizontal run. See figs. 6.8, 6.9, 6.10.
- **Horizontal termination requirements:**
  - 1) Maximum vertical run is 30 ft. (9.14m)
  - 2) Maximum horizontal run is 20 ft. (6.1m)
- **ELBOW RESTRICTION:** Up to two 45° elbows or one 90° elbow may be used in addition to the first elbow.  
**The *horizontal run* must be reduced by 5 feet for each additional elbow, whether 45° or 90°.**
- **Wall Cut-out Opening:** A minimum 10" X 10" (250 mm x 250 mm) square hole is required for proper pipe clearances through a combustible wall.
- **Horizontal Vent Pipe Clearance to Combustible Material:**
  - From Top Surface: 2" (51 mm)
  - From Sides: 1" (25 mm)

**DO NOT FILL AIR SPACE WITH ANY TYPE OF INSULATION.**

- Any horizontal run of vent must be level or have a 1/4 in. rise for every foot of run toward the termination cap. **NEVER ALLOW THE VENTING TO RUN DOWNWARD FROM STOVE TO TERMINATION; A DOWNWARD VENT RUN TRAPS HEAT AND CREATES A FIRE HAZARD.**
- The horizontal termination cap must maintain a 3" clearance to any overhead combustible projections 2 1/2" or less. It must also maintain 12" clearance from projections exceeding 2 1/2".
- A direct vent terminal may not be recessed into a wall or siding.
- Install a Vinyl Siding Standoff (Dura-Vent #950) between the vent termination and an exterior wall covered by vinyl siding material to prevent potential heat damage to the siding.

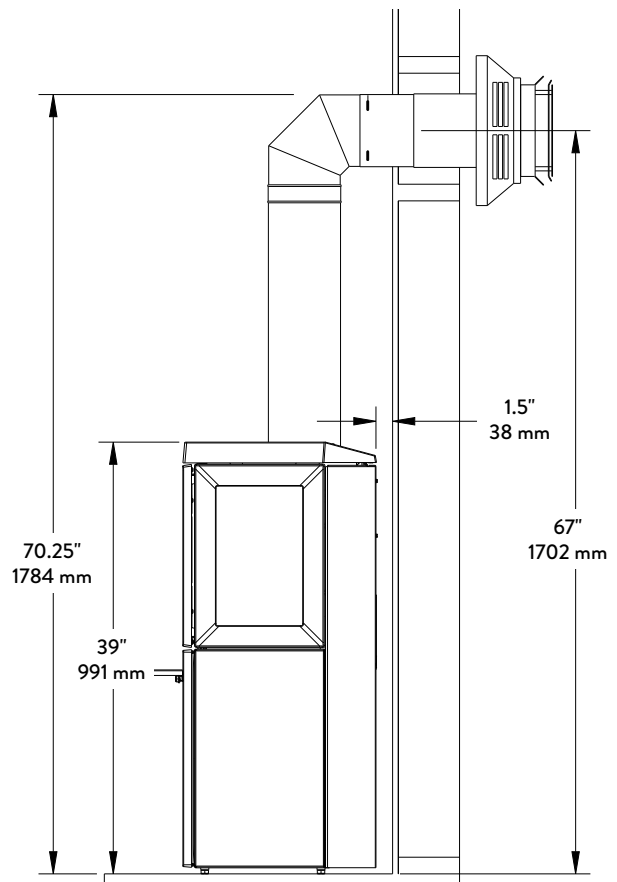


Figure 6.8. Recommended Horizontal Termination.

**SNORKEL TERMINATION:**

- **HORIZONTAL RUN MUST NOT EXCEED 2 FEET (61 CM).**

A 14" (356mm) or 36" (914mm) snorkel termination is approved in conformance with the vent rise/run and termination clearance specifications published in this manual. See figs. 6.9 – 6.10.

The snorkel termination must comply with grade and building clearance requirements per local and national building codes.

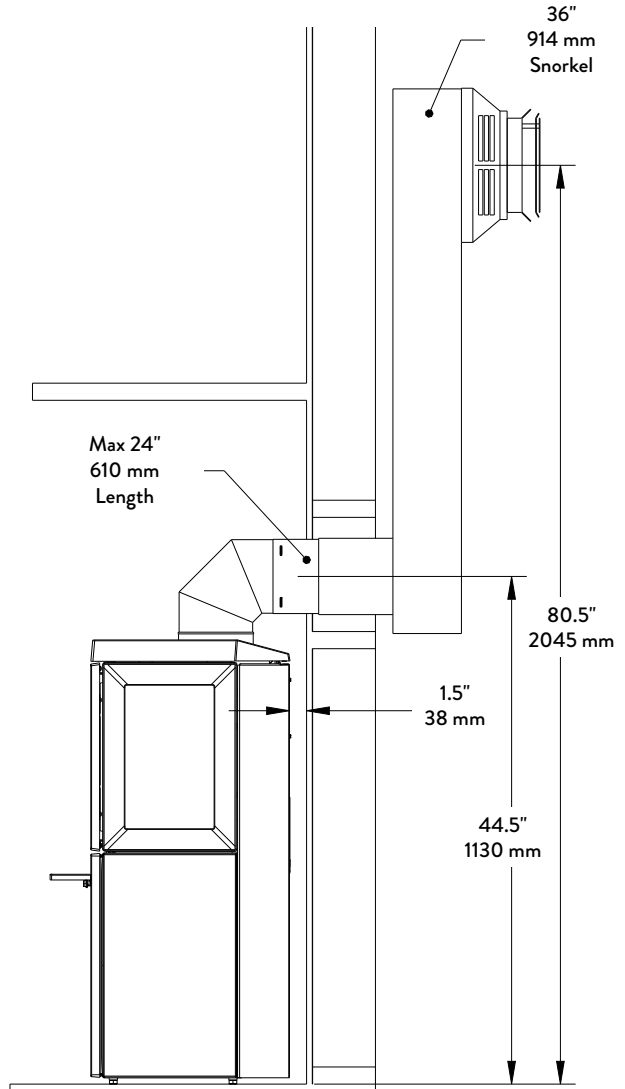
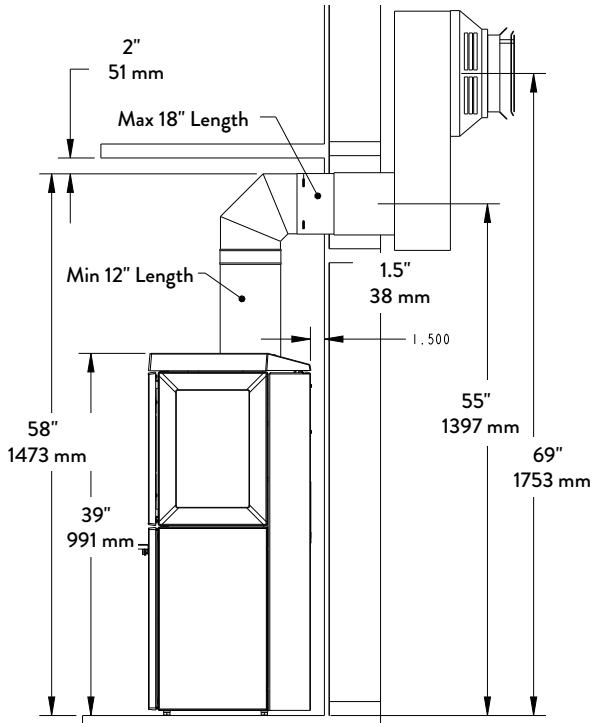


Figure 6.9. Optional Snorkel Termination

- Any horizontally terminated vent run must include a minimum 1 ft. (61 cm) vertical rise.
- At minimum vertical run, the total horizontal run (A) must not exceed 5 ft. (152.4 cm).

Figure 6.10. Minimal Pipe Exposure Clearances.

- **2 FT. MAX. HORIZONTAL RUN (A) TO SNORKEL TERMINATION**

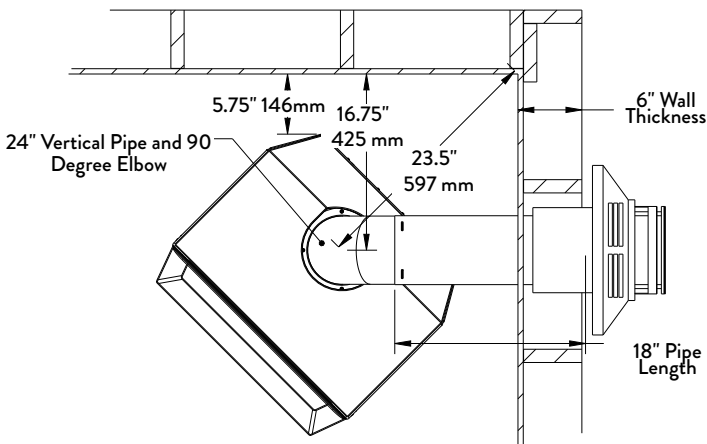
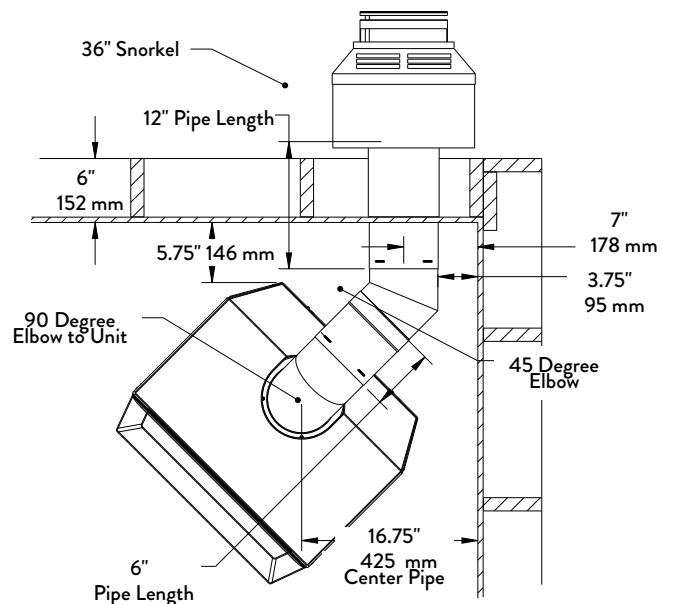


Figure 6.11. Optional Corner Installation Clearances



## Horizontal Termination Clearance Requirements

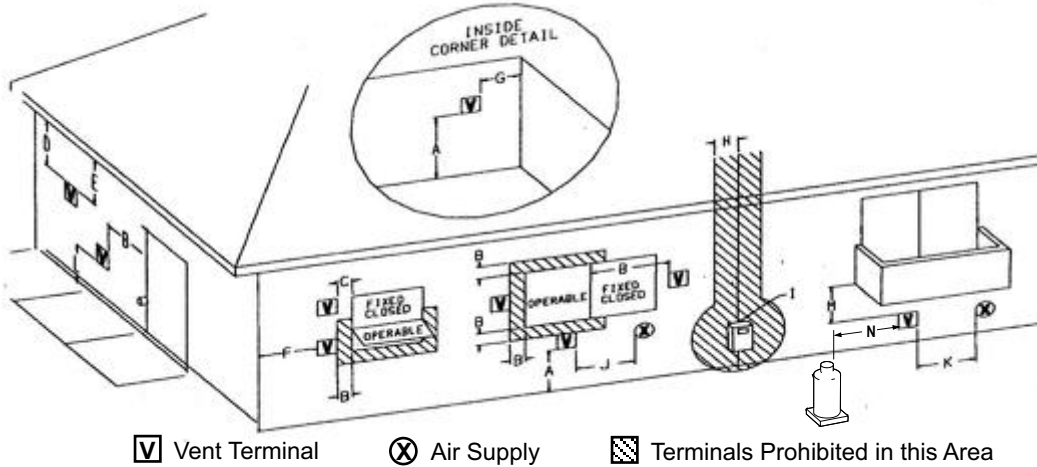


Figure 6.11. Vent Terminal Clearances, Canada and United States

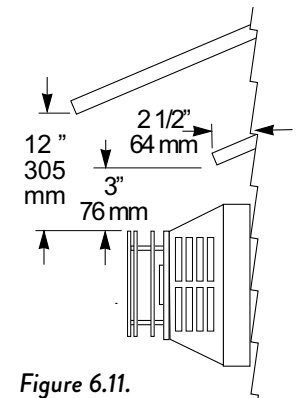


Figure 6.11. Termination Clearance to overhangs.

		Canadian Installations <sup>1</sup>	U.S. Installations <sup>2</sup>
A	Clearance above grade, veranda, porch, deck, or balcony	12 in. (30 cm)	12 in. (30 cm)
B	Clearance to window or door that may be opened	12 in. (30 cm)	9 in. (23 cm) We recommend 12 in. to prevent condensation on a window.
C	Clearance to permanently closed window	12 in. (30 cm)	9 in. (23 cm) We recommend 12 in. to prevent condensation on a window.
D	Vertical clearance to ventilated soffit located above the terminal within a horizontal distance of 2 ft. (60 cm) from the center line of the terminal	18 in. (46 cm)	18 in. (46 cm)
E	Clearance to unventilated soffit	12 in. (46 cm)	12 in. (46 cm)
F	Clearance to outside corner	12 in. (46 cm)	9 in. (23 cm) We strongly recommend 12 in. particularly where strong winds prevail.
G	Clearance to inside corner	12 in. (46 cm)	9 in. (23 cm) We strongly recommend 12 in. particularly where strong winds prevail.
H	Clearance to each side of center line extended above a gas meter or regulator	3 ft. (91 cm) within a height 15 ft. above the meter/regulator assembly	*
I	Clearance to service regulator vent outlet	3 ft. (91 cm)	*
J	Clearance to nonmechanical air supply inlet to building or the combustion air inlet to any other appliance	12 in. (30 cm)	9 in. (23 cm)
K	Clearance to a mechanical air supply inlet	6 ft. (1.83 m)	3 ft. (91 cm) above if within 10 ft. (3 m) horizontally
L	Clearance above paved sidewalk or paved driveway located on public property	7 ft. (2.13 m) <sup>3</sup>	*
M	Clearance under veranda, porch, deck, or balcony	12 in. (30 cm) <sup>4</sup>	12 in. (30 cm) <sup>4</sup>
N	Clearance to propane tank relief valve and filler connection	5 ft. (1.52 m) <sup>5</sup> / 10 ft. (3.05 m) <sup>6</sup>	5 ft. (1.52 m) <sup>5</sup> / 10 ft. (3.05 m) <sup>6</sup>

1) In accordance with the current CSA B149.1, Natural Gas and Propane Installation Code.

2) In accordance with ANSI Z223.1/NFPA 54, National Fuel Gas Code

\* For clearances not specified in ANSI Z223.1/NFPA 54 or CSA B149.1, the clearance will be in accordance with local installation codes and the requirements of the gas supplier.

3) A vent shall not terminate directly above a sidewalk or driveway which is located between two single family dwellings and serves both dwellings.

4) Permitted only if veranda, porch, deck, or balcony is fully open on a minimum of two sides beneath the floor.

5) Minimum clearance to tanks not filled on site.

6) Minimum clearance to tanks filled on site from bulk truck.

## 7. Fuel Conversion

The GF 520 DV gas stove is shipped from the factory equipped to burn NATURAL GAS only. If PROPANE gas is to be used as fuel, the appliance must first be converted by using the Propane Conversion Kit 158331 included with the stove. Use Natural Gas Conversion Kit 158332 to revert back to Natural gas.

### WARNING:

THE CONVERSION KIT IS TO BE INSTALLED BY AN AUTHORIZED SERVICE TECHNICIAN IN ACCORDANCE WITH THE MANUFACTURER'S INSTRUCTION AND ALL CODES AND REQUIREMENTS OF THE AUTHORITY HAVING JURISDICTION. FAILURE TO FOLLOW THESE INSTRUCTIONS COULD RESULT IN SERIOUS INJURY OR PROPERTY DAMAGE. THE QUALIFIED AGENCY PERFORMING THIS WORK ASSUMES RESPONSIBILITY FOR THIS CONVERSION.

### IN CANADA:

THE CONVERSION SHALL BE CARRIED OUT IN ACCORDANCE WITH THE REQUIREMENTS OF THE PROVINCIAL AUTHORITIES HAVING JURISDICTION AND IN ACCORDANCE WITH THE REQUIREMENTS OF THE CAN1-B149.1 AND .2 INSTALLATION CODE.

### Tools required:

- 1/2" or 13 mm wrench or deep-well socket,
- Torx T20 screw driver

### Conversion Kit Contents:

- 1, regulator tower labeled LP
- 2 regulator tower Torx Screws
- LP orifice: #52
- 1, Pilot Injector - BL .020 for NG - 226758  
.013 for LPG - 226759
- Label A - to be completed and applied to the lower door hinge.
- Label B - apply to the stove's Rating Plate
- Small valve label - apply to valve body
- Instructions

## Fuel Conversion Procedure

1. Turn off gas supply to stove.
2. Remove top and front cast. Release the glass frame latches to remove the glass frame and open the firebox. Tilt the glass frame forward and lift it out of the stove. See initial assembly page 5.
3. Open the Controls Compartment under the firebox. If opening the Controls Compartment for the first time, loosen the Air Shutter wing nut located below the firebox floor and rotate the handle 180°. Push the Air Shutter handle as far back as it will travel. See fig. 7.1.
4. Lift out Rear Burner Skirt.
5. Remove the Burner: Lift the front of the burner base to disengage it from the support brackets and pull it forward off of the burner injector. Then tilt it side-to-side and pull it out through the firebox opening. Fig. 7.2.
5. Change the Burner Injector.  
See fig. 7.3. Using a 1/2" open end wrench or deep-well socket, remove the burner injector from the orifice holder and replace it with the injector supplied in the conversion kit.

**CAUTION: DO NOT OVER TIGHTEN!**

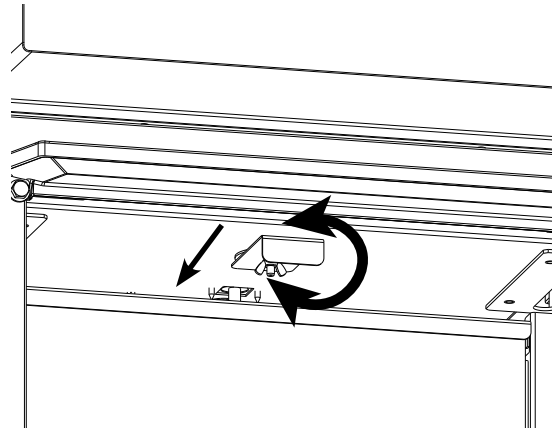


Figure 7.1.  
Rotate the Air Shutter Handle 180° and push Air Shutter FULLY back to disengage burner from injector.

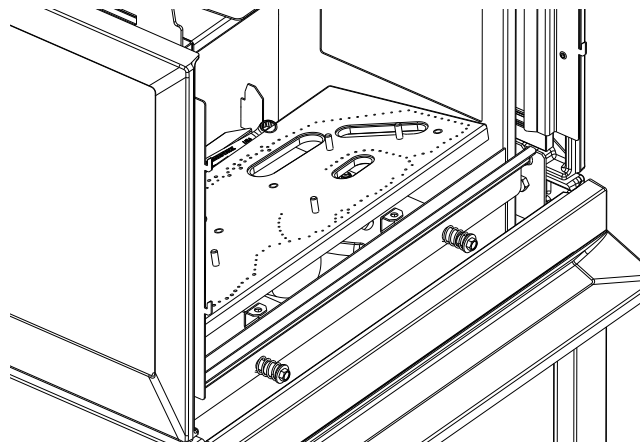


Figure 7.2. Remove Burner.



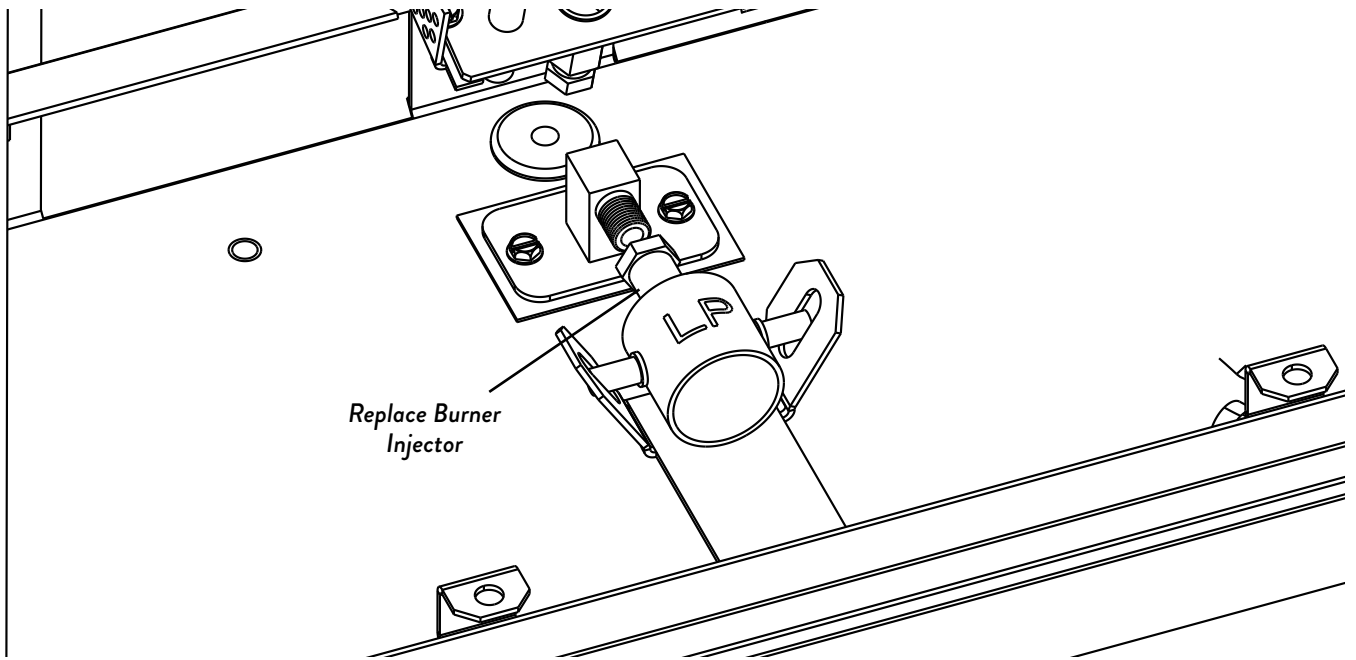


Figure 7.3.  
Injector and Pilot conversion. The Air Shutter **MUST** be flipped for LP conversion.

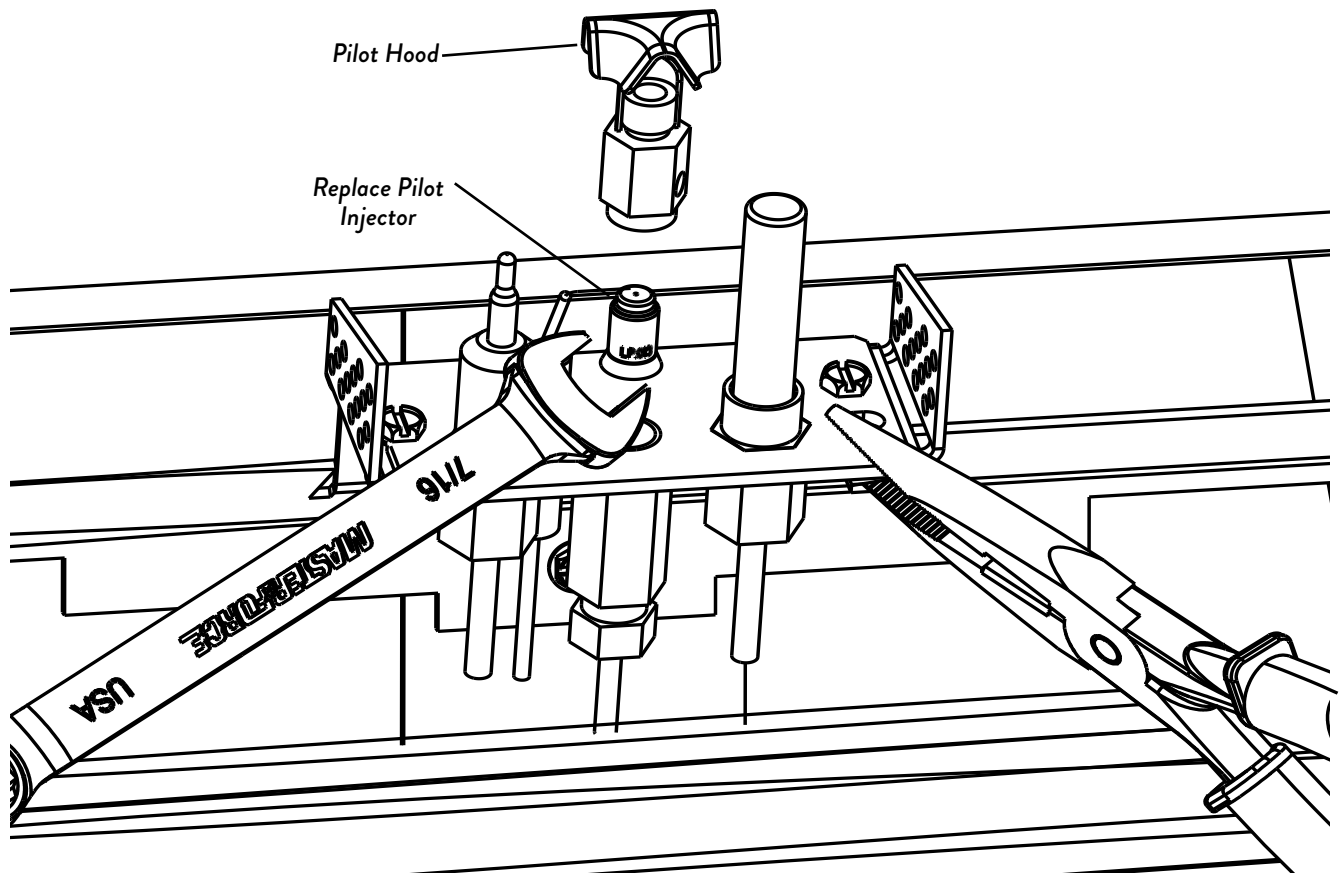


Figure 7.3.  
Injector and Pilot conversion. The Air Shutter **MUST** be flipped for LP conversion.

## Fuel Conversion, cont'd.

### 6. Change the Pilot Injector, Fig 7.3.

- Use the 7/16" wrench to loosen the pilot hood, hold the pilot mounting bracket with pliers to prevent bending the pilot bracket.
- Lift the Pilot Hood and remove the pilot injector and replace with one in fuel conversion kit. Replace the pilot head and orient the hood to project flame to the Flame Sensor and burner carry-over ports. Be sure to orient the hood to project flame to the Flame Sensor and the burner carry-over ports.

### 7. Flip the Air Shutter. Carefully bend open the Air Shutter Handle and flip the Air Shutter so it displays "LP". Carefully bend the Air Shutter Handle back around the Air Shutter. See fig 7.3

### 8. Replace the Burner. Tilt the burner assembly downward to engage the venturi tube with air shutter assembly. **BE CERTAIN THE BURNER IS LEVEL AND SECURELY ENGAGED WITH THE FRONT SUPPORTS ON THE FIREBOX FLOOR.**

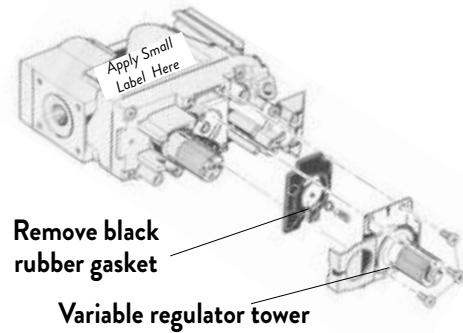


Figure 7.7.  
Regulator tower removal and replacement

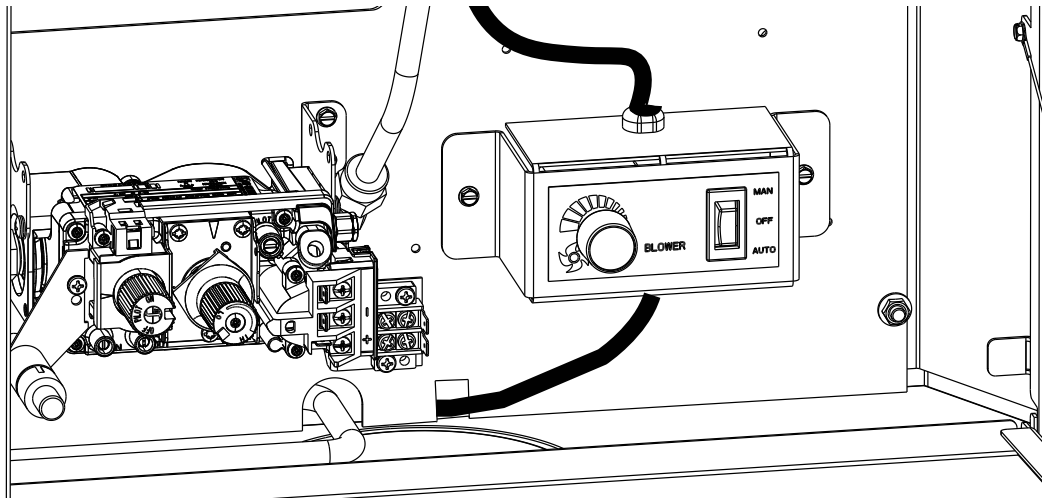


Figure 7.4.  
GF 520 DV Control Compartment. Image shown with optional blower.

9. Replace the variable regulator. Using a Torx T-20 screwdriver, remove the three specialty screws from the regulator tower on the front of the valve. Note: To help identify which screws to remove, refer to the new regulator in the kit. See fig. 7.7.
10. Remove the regulator tower and the rubber diaphragm.
11. Install the new variable regulator tower from the kit. Be sure that the gasket is properly positioned and tighten screws securely.
12. Apply the identification labels to the stove so that they can be seen by any person that may be servicing the stove.
  - Label "A": Apply Control Compartment Door, next to the lighting instructions.
  - Label "B": Apply to the Rating Plate.
  - Small valve sticker: Apply to valve.
11. Reassemble the stove and apply gas to the system.
12. **Leak Check:** Check for leaks using a soapy water solution or digital gas detector.

**NEVER USE OPEN FLAME TO CHECK FOR GAS LEAKS.  
AVOID WETTING THE IFC UNIT OR MOTORIZED  
REGULATOR WHEN CONDUCTING LEAK CHECK.**

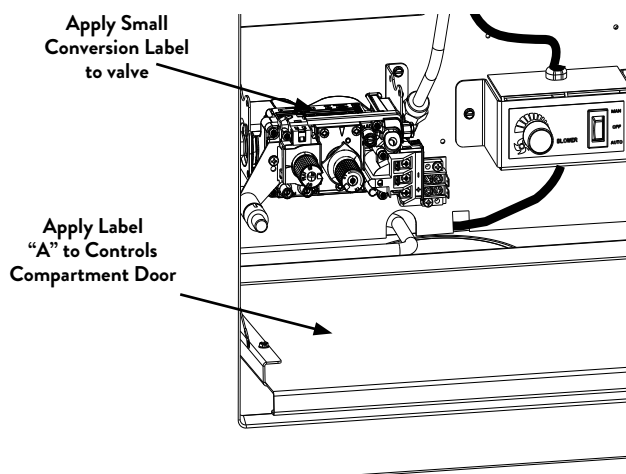


Figure 7.6.  
Conversion label "A" location.

13. **Confirm correct gas pressure.** Use a manometer to check pressures as specified under Section 9, Gas Pressure (page 20).

#### 14. **Adjust the Air Shutter.** Fig. 7.7

The factory setting for NG is 1/16" open. Adjustment may be necessary to provide the best flame picture depending upon the specific vent configuration.

- Start with the shutter set open to 1/16".
- Push the shutter stem back (to the rear) to restrict air.
- Pull the shutter stem forward (toward yourself) to open the shutter and add oxygen to the fuel mix.

With some experimentation, you will find the shutter position that works best for that particular installation.

- Run the stove at least 15 minutes to let the burner settle-in before making further adjustments in very small increments (1/16" - 1/8")

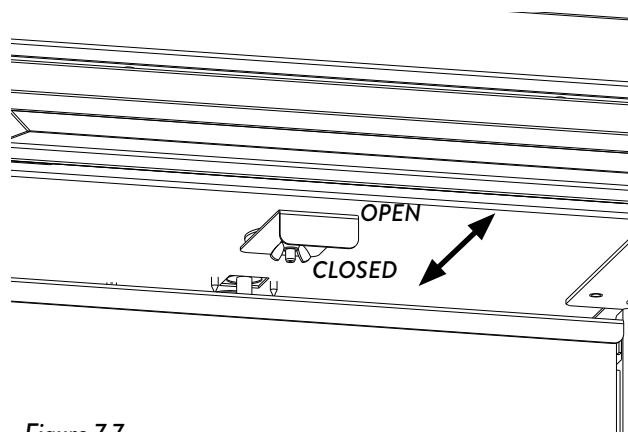


Figure 7.7.  
Air shutter adjustment.

# 8. Gas Supply Connection

- Route the gas supply line to the flex line behind the unit. Gas installation should be approximately 12" from the center line on either side of the unit.
- The gas supply line should be 3/8" npt with a 1/2" diameter supply, or the appropriate size to provide sufficient gas pressure to the valve regardless of the input setting.
- The use of Flexible Gas Appliance Connectors is acceptable in many areas in the U.S. However, Canadian methods vary depending on local code.
- ALL INSTALLATIONS MUST COMPLY WITH LOCAL CODE OR IN THE ABSENCE OF LOCAL CODE, MUST COMPLY WITH THE MOST RECENT EDITION OF THE NATIONAL FUEL GAS CODE ANSI Z223.1/ NFPA 54 OR CAN-B149.**
- All codes require a gas shut-off valve (gas cock) and union, to be installed in the supply line, and in the same room as the appliance. This allows for the disconnection of the stove for servicing and maintenance. See fig. 8.1.

**A T-HANDLE GAS COCK IS REQUIRED IN MASSACHUSETTS TO COMPLY WITH CODE 248CMR.**

- Secure all joints tightly using appropriate tools and sealing compounds. For propane units be sure to use compounds that are propane resistant. Turn on gas supply and test for gas leaks at all joints.

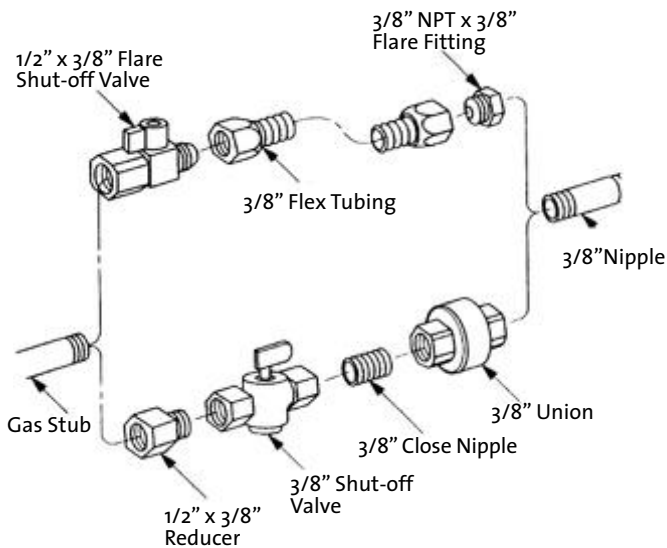


Figure 8.1. Gas supply line connection alternatives.

# 9. Gas Pressure

Correct gas pressure is essential for efficient and safe operation of the GF 520 DV gas stove. It is important that the correct pressure is established at the time of the installation. Proper gas pressure provides a consistent flow of gas to the appliance and is instrumental in checking for gas leaks.

**Pressure Test:** Attach a manometer to the appropriate test point on the valve. See fig. 9.1.

The gauge connections are located on the front of the valve. Connections are identified by:

**A - for Manifold Pressure** (the amount of gas that is coming out of the valve to the burner.)

**B - for Inlet or Supply Pressure** (the amount of gas coming to the valve.)

**ALWAYS TEST PRESSURES WITH VALVE CONTROL KNOB SET ON HIGH.**

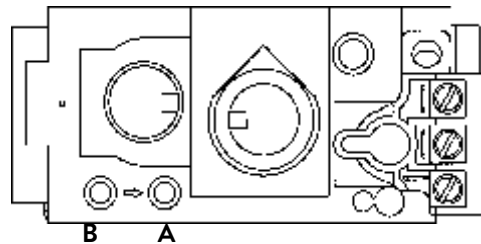


Figure 9.1. Pressure test points.

INLET GAS PRESSURES (inches water column)		
	MIN	MAX
NATURAL GAS	5.0	7.0
PROPANE	11.0	14.0

The appliance and its appliance main gas valve must be disconnected from the gas supply piping system during any pressure testing on that system at test pressures in excess of 1/2 psig (3.5 kPa).

The appliance must be isolated from the gas supply line by closing its individual manual gas shut-off valve (gas cock) during any pressure testing of the gas supply piping system that is equal to or less than 1/2 psig (3.5 kPa).

MANIFOLD PRESSURES (inches water column)		
	MIN	MAX
NATURAL GAS	1.6	3.5
PROPANE	6.4	10.0

# 10. Accessories

## Firebox Panel Kit

### Black Reflective Glass Panel Kit 158342

#### Reflective Black Glass Contents:

- Rear Panel .....226763
- Cotton Gloves, 2
- Instructions

#### Tools:

- Flat head screw driver
- 1/4" hex socket

**INSTALL FUEL CONVERSION KIT BEFORE  
INSTALLING PANEL KIT.**

**THE PANEL IS FRAGILE.  
SUPPORT WITH BOTH HANDS.**

**HANDLE THE GLASS PANELS WITH THE COTTON  
GLOVES PROVIDED TO MINIMIZE FINGERPRINTS.  
SKIN OILS ARE DIFFICULT TO REMOVE FROM THE  
GLASS SURFACE.**

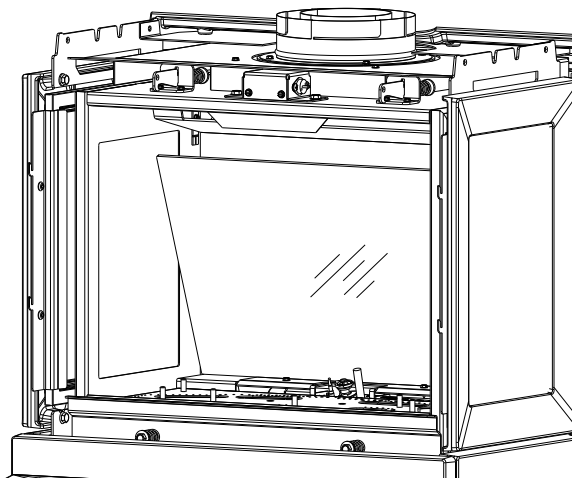


Figure 10.1. Install Rear Panel.

## ORIENT GLASS PANEL WITH THE SMOOTH SIDE FACING OUT.

1. Set the Rear Panel, bottom first, behind the pilot assembly shield and resting on the rear shelf. See fig. 10.1.
2. Use a flat head screwdriver to bend the rear tab at 45° to keep glass from falling forward. See fig. 10.2.
3. Repeat the process for the tab on the opposite side.

**NOTE:** If the Glass Panel is installed in a location prone to vibration, the retainer tab can be adjusted to hold the glass tighter.

1. Remove the Baffle by removing the two M6 nuts in the upper front corners of the firebox.
2. Use a 1/4" hex socket to loosen the screw on one of the retaining tabs. Rotate the tab until it is holding the glass panel tight to the firebox and tighten the screw.
3. Replace the Baffle.

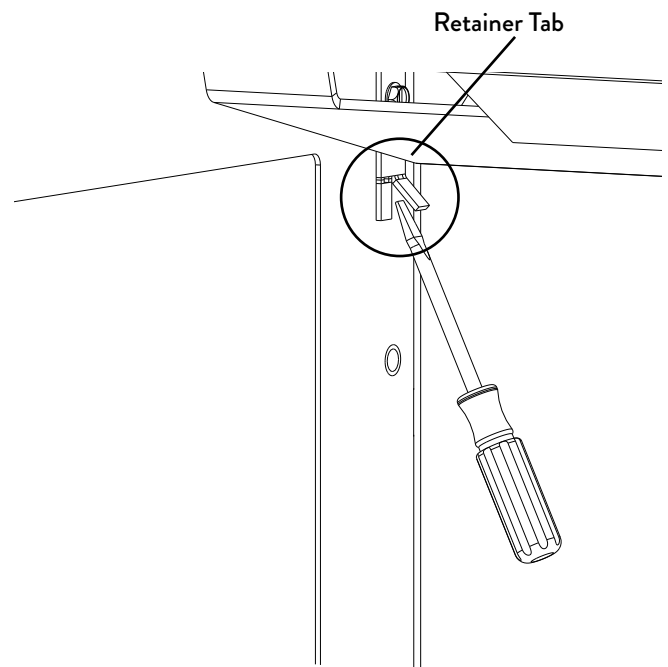


Figure 10.2. Bend Side Tabs

## Firebox Panel Kit Fluted Panel Kit 158288

**Fluted Panel Kit Contents:**

- Rear Panel ..... 226943
- Instructions

**Tools:**

- Flat head screw driver

**INSTALL FUEL CONVERSION KIT BEFORE  
INSTALLING PANEL KIT.**

1. Use the screwdriver to bend out the front tab of the retainer clips on each side slightly, only enough to allow the screwdriver access from the front. See fig. 10.3.
2. Install the bottom of the panel first, then stand the panel against the rear wall of the firebox. See fig. 10.4.
3. Insert the screwdriver underneath the tab previously bent and twist to bend the tab against the panel. Repeat this step on the other side and bend the tabs equally so the panel is centered and retained in the firebox. See fig 10.5.

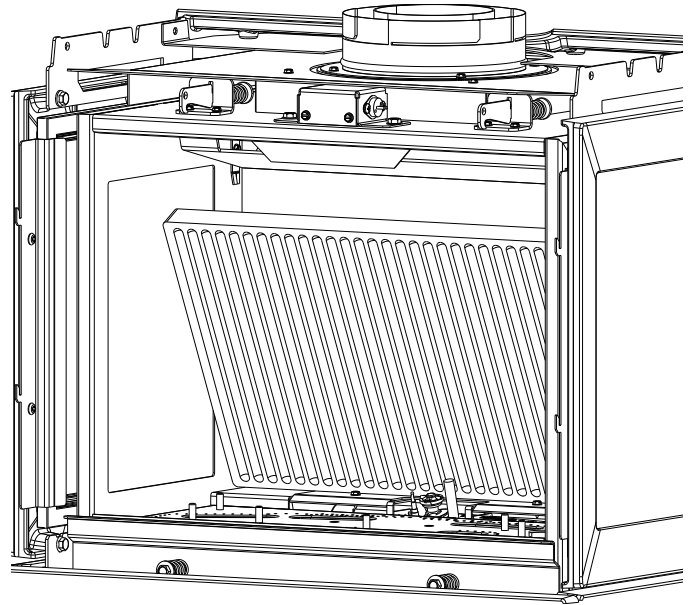


Figure 10.4. Install Panel.

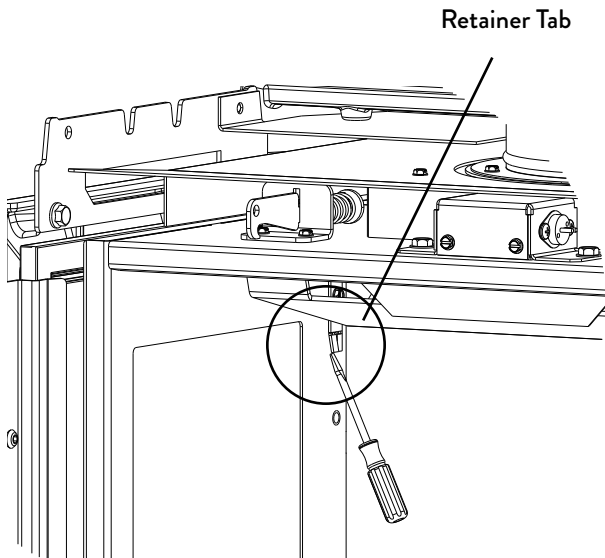


Figure 10.3. Bend the front tab on each side slightly.

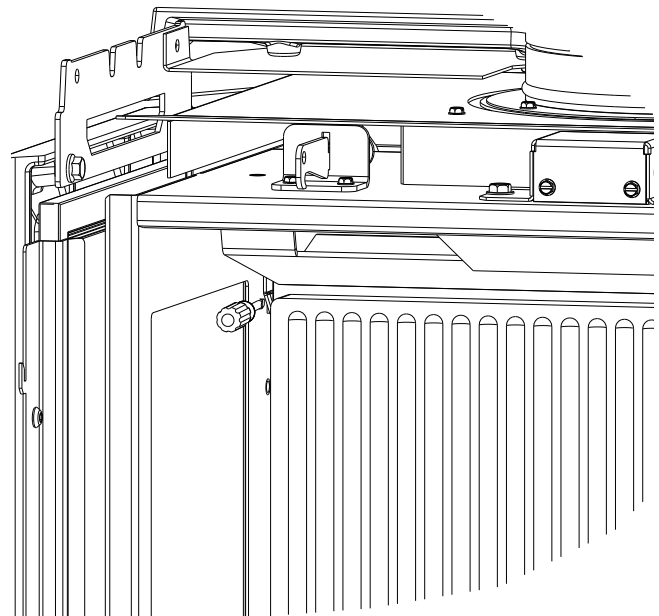


Figure 10.5. Bend both tabs fully to retain Panel.

## Optional Wall Thermostat 750003

Use only a 750 millivolt DC two-wire circuit wall thermostat with this appliance. The thermostat should be placed in the same room as the heater, typically 5 feet off the floor. Avoid drafty areas or any area that may affect the accuracy of the thermostat.

The thermostat should be connected to the terminal block using a minimum of 16 gauge wire with a maximum length of 25 feet of wire.

Connect either of the two thermostat wire leads to either of two terminals on the terminal block located to the right of the main gas valve. Do not overtighten the connections. IT IS NOT NECESSARY TO DISCONNECT ANY OTHER WIRES. See Fig. 10.7.

For thermostatic operation, the On/Off/T-Stat switch on the back of the stove must be in the T-stat position, and the pilot light must be running, as it is the power source for the thermostat.

At the thermostat, the two wires should be connected to the two connection screws on the thermostat base plate per the manufacturer's instructions.

### CAUTION:

**LABEL ALL WIRES PRIOR TO DISCONNECTION WHEN SERVICING THE CONTROLS. WIRING ERRORS CAN CAUSE IMPROPER OR DANGEROUS OPERATION. ALWAYS VERIFY PROPER OPERATION AFTER SERVICING THE APPLIANCE.**

## Optional Remote Control 224910

When using a remote, the remote receiver should be wired to the terminal block in the same way the as the thermostat. See the instructions under Optional Wall Thermostat. The remote receiver can be placed on the bottom right of the Control Compartment.

Follow the operating instructions included with the Remote Control unit.

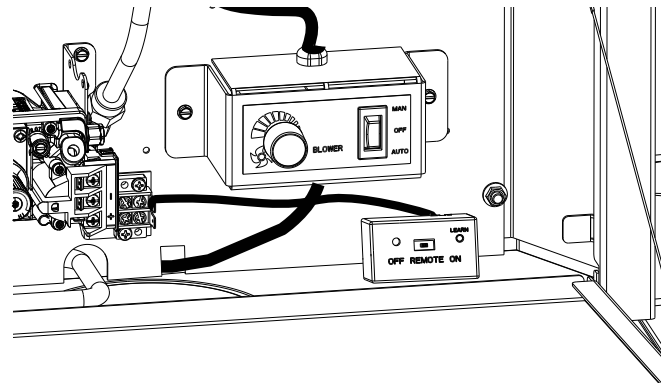


Figure 10.6. Remote Receiver Location. Shown with optional blower.

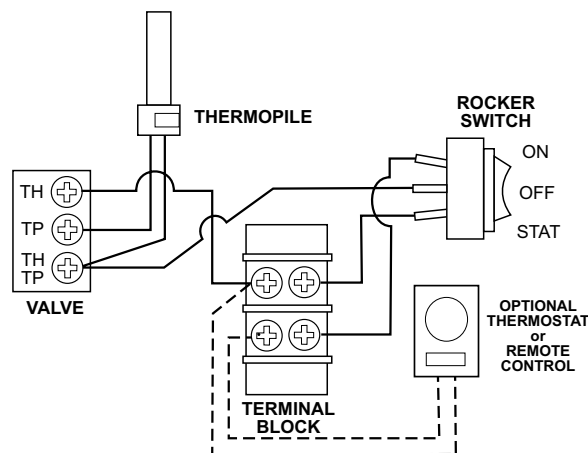


Figure 10.7. Accessory wiring diagram.

## Optional Blower 158333

### Kit Contents:

- Left Blower Assembly
- Right Blower Assembly
- Wiring Harness
- Flange Nuts (6)
- Sheet Metal Screws (3)
- Snapstat
- Snapstat Bracket
- Snapstat Finger Guard Assembly
- Green Grounding Strap

### Tools Required:

- 10mm socket and ratchet
- 1/4" driver
- Light
- Gloves

Read these instructions before beginning the installation.

1. Unpack and check the contents of the blower kit. Contact your dealer if any damage is evident or parts are missing.
2. Identify the Right Blower Assembly. The Right Blower Assembly has the air hole cutout on one side.
3. Attach the pink connectors from the Green Grounding Strap to the prong at the bottom of the blower as shown in fig. 10.8.
4. With the arrows on the blower facing up and out, rotate the blower behind the burner gas line and mount to the studs on the factory installed blower brackets.

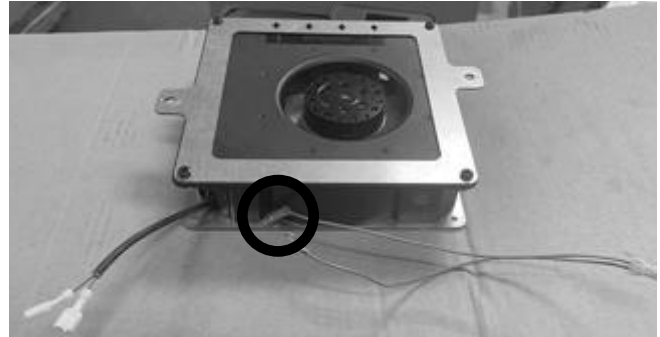


Figure 10.8. Grounding Strap connection point.

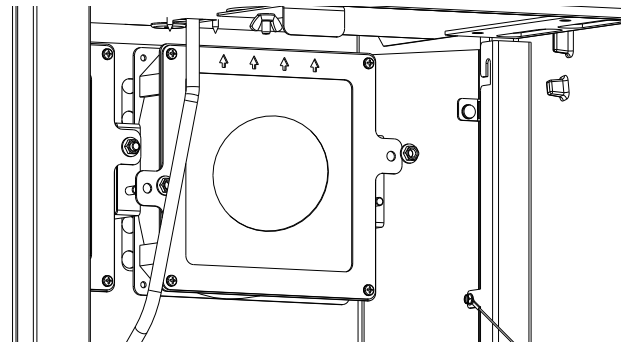


Figure 10.9. Install the right side blower.

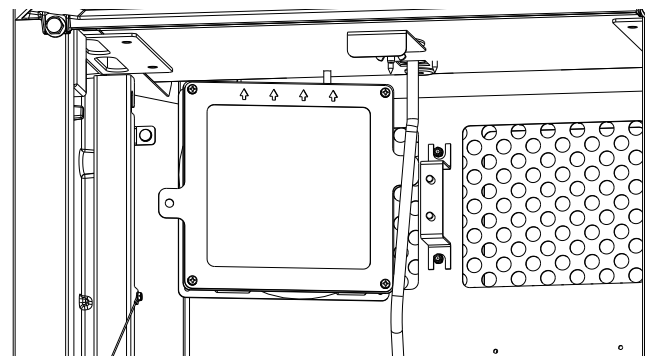


Figure 10.10. Rotate the Left side blower to fit behind the burner gas line.

- Do not connect blower to power supply until all wire connections have been made.
- This blower must be electrically grounded in accordance with local codes or, in the absence of local codes, with the current ANSI/NFPA 70, National Electrical Code or CSA C22.1-Canadian Electrical Code.
- This unit is supplied with a three-prong (grounding) plug for protection against shock hazard and should be plugged directly into a properly grounded three-prong receptacle. **DO NOT CUT OR REMOVE THE GROUNDING PRONG FROM THE PLUG.**
- Always disconnect the power supply when performing any service on the stove.



5. Attach the Blower to the brackets using two M6 flange nuts as shown in fig 10.9.
6. Identify the Left Blower Assembly. The Left Blower assembly has a solid plate on the front.
7. Attach the yellow connector from the Green Grounding Strap to the prong at the bottom of the Right Blower Assembly.
8. With the arrows facing up and out, rotate the Left Blower Assembly behind the burner gas line onto the studs on the blower brackets and secure with two M6 flange nuts. See fig 10.11
9. Secure the Green Grounding Strap to the rear of the control box using the supplied sheet metal screw. See fig 10.12
10. Attach the Blower Control Box to the pilot holes in the rear wall in the controls compartment using two sheet metal screws provided. See fig 10.12.

**CAUTION: DO NOT PINCH WIRES WHEN INSTALLING CONTROL BOX!**

11. Route the power cable plug through the square hole at the bottom of the controls compartment.

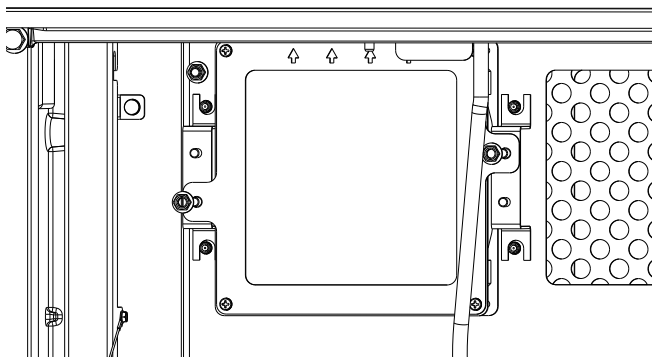


Figure 10.11. Secure nuts on studs. Tighten securely.

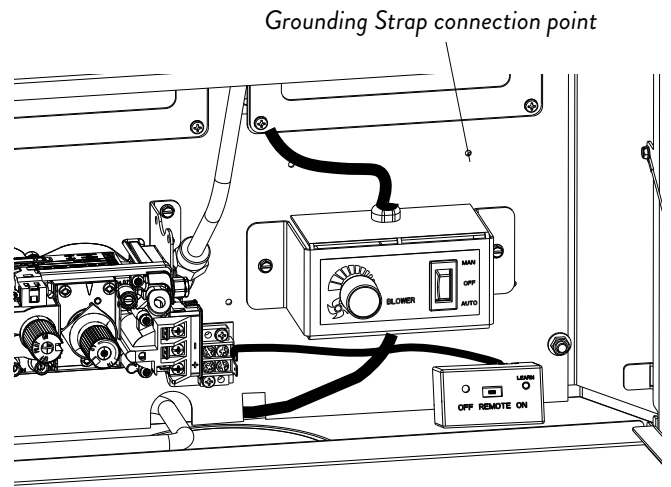


Figure 10.12. Blower Control Box and power routing.

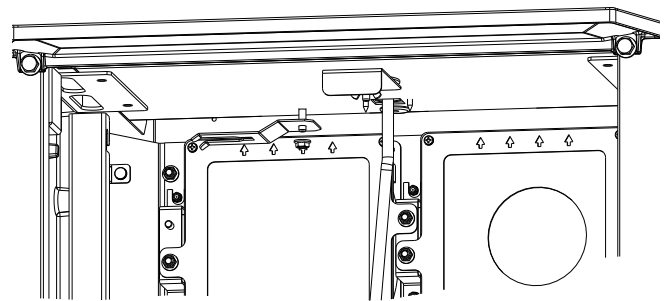


Figure 10.13. Secure the Snapstat bracket securely.

12. Install the Snapstat Bracket to the stud at the bottom of the firebox using the provided M6 flange nut.
13. Install the Snapstat into the bracket ensuring that it sits flush on the firebox. If snapstat is not snug against the firebox, the bracket may need to be bent by hand to make a secure fit. See fig 10.14.
14. Install the black and blue wires from the control harness to the Snapstat.
15. Bend the protective cover open enough to slide over the snapstat.
16. Manipulate the Snapstat harness through the protective cover then attach the protective cover assembly to the stud at the bottom of the firebox using a second M6 flange nut. Bend the cover shut. See fig 10.15.
17. Attach the 4 connectors from the wire harness to the four terminals on the Left and Right Blower Assemblies.
18. Connect power cord to outlet.

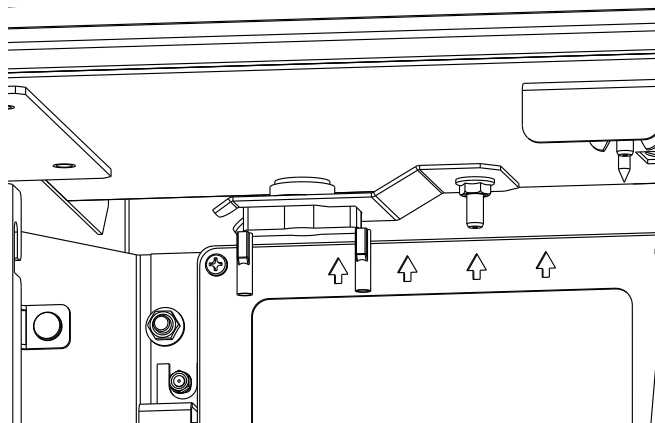


Figure 10.14. Install Snapstat and attach pink connectors.

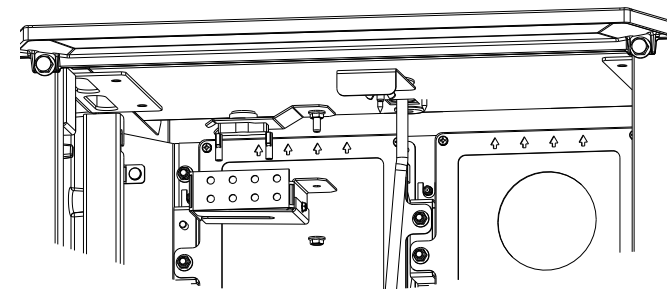


Figure 10.15. Install the Snapstat cover using a second M6 nut and tighten securely.

## Blower Operation

The optional variable-speed blower will enhance heat circulation around the firebox and out into the room. The blower is controlled by a heat activated switch (snapstat) that will ONLY function when the control switch is in AUTO setting. After the fire has been burning for a time, the snapstat will react to the heat and activate the blower. Fan speed may be manually adjusted with the rheostat knob. If the burner turns off, the blower will be shut off automatically when the stove cools down.

If automatic blower circulation is not desired, place the blower control switch in the MANUAL position.

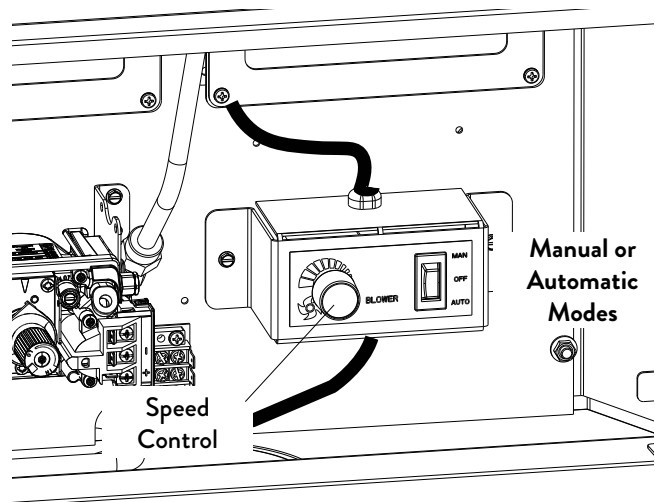


Figure 10.16. Blower Controls

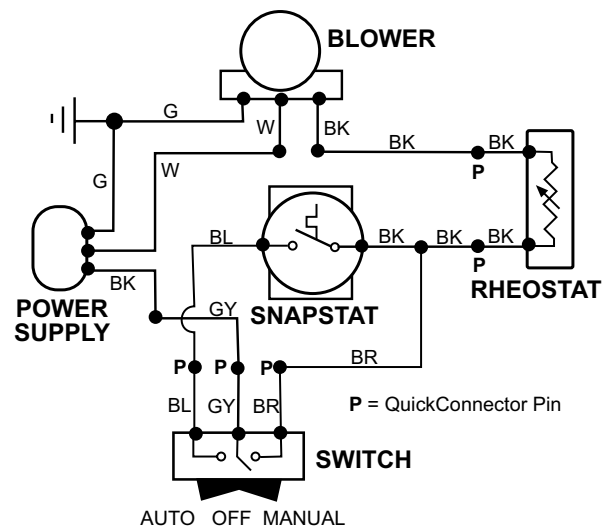


Figure 10.17. Blower Wiring Diagram

# 11. Install Burner Media

Do not install burner media until after all other accessory installations or component adjustments have been completed.

## Log Set 158263

NOTE: LOG COMPONENTS ARE FRAGILE.  
WEAR SAFETY GLOVES AND HANDLE LOGS WITH CARE.

### Contents:

#1	Rear Log .....	226921
#2	Left Side Log.....	226922
#3	Right Side Log.....	226923
#4	Left Middle Log.....	226924
#5	Right Middle Log.....	226925
	Ember Stones .....	6 oz.

Inspect the log parts and report any damage to your dealer. **DO NOT INSTALL DAMAGED LOGS.**

- 1. Rear Log:** Engage the holes in the underside of Rear Log #1 with two pins, one on the burner base and one on the burner skirt. Fig 11.1
- 2. Place 12-15 Ember Stones** on each side of the rear of the Burner as shown in fig. 11.2. **KEEP EMBER STONES AWAY FROM THE PILOT CARRY-OVER AREA AND BURNER PERIMETER.**
- 3. Right Side Log:** Engage the hole on the underside of Right Log #3 with the pin on the right side of the burner. Lean the other side against Rear Log #1. Align the groove on the bottom of Right Log #3 with the large bump on Rear Log #1. Fig 11.3

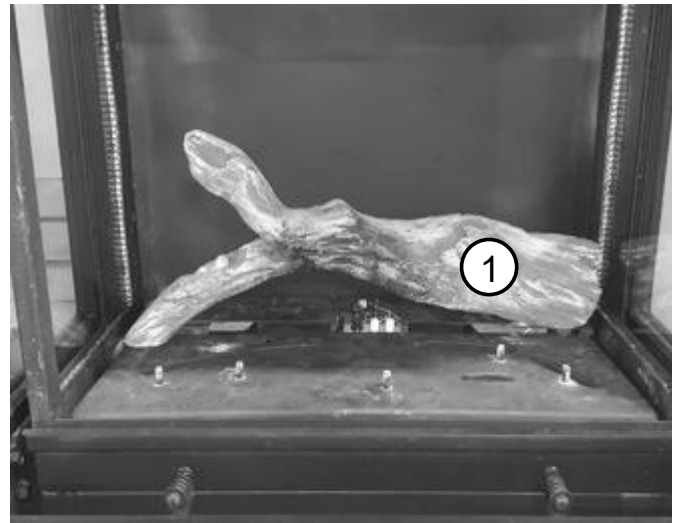


Figure 11.1. Set the #1 Rear Log on the rear pins, one on the Burner and one on the Burner Skirt.



Figure 11.2. Place 12-15 Ember Stones on each side of the Burner. Avoid the Pilot carry-over area.

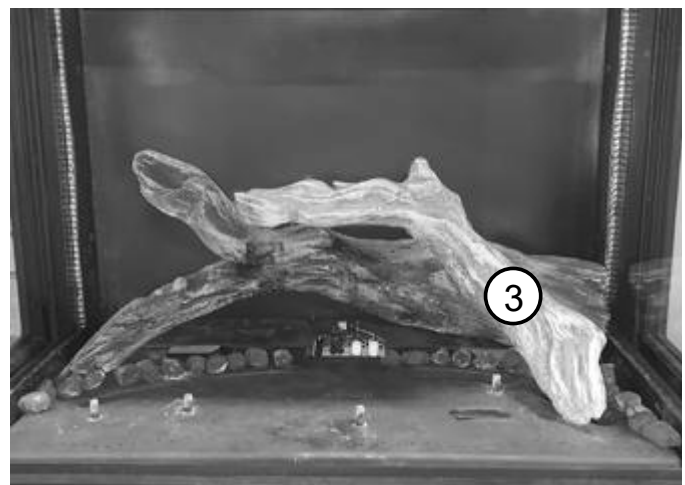


Figure 11.3. Rest the end of the #3 Right Log in the small pocket on the Base Log.

4. **Left Side Log:** Engage the hole on the underside of Left Side Log #2 with the pin on the left side of the burner. Lean the other side against Rear Log #1. Align the indentation on Left Side Log #2 with the small bump on Rear Log #1.
5. **Right Middle Log:** Engage the holes on the underside of Right Middle Log #5 with the two pins on the middle right of the Burner as shown.
6. **Left Middle Log:** Engage the hole on the underside of Left Middle Log with the pin on the middle left of the Burner. Rest the other side of the log on Right Middle Log #5.
7. If desired, spread the Ember Stones over the Burner Base in a thin layer. **DO NOT COVER GAS PORTING HOLES ON THE SIDES OR FRONT OF THE BURNER. PLACE STONES OVER THE REAR PORTS ONLY AND UP TO THE REAR FLANGE OF THE BURNER. KEEP EMBER STONES AWAY FROM THE PILOT CARRY-OVER AREA AND BURNER PERIMETER.**

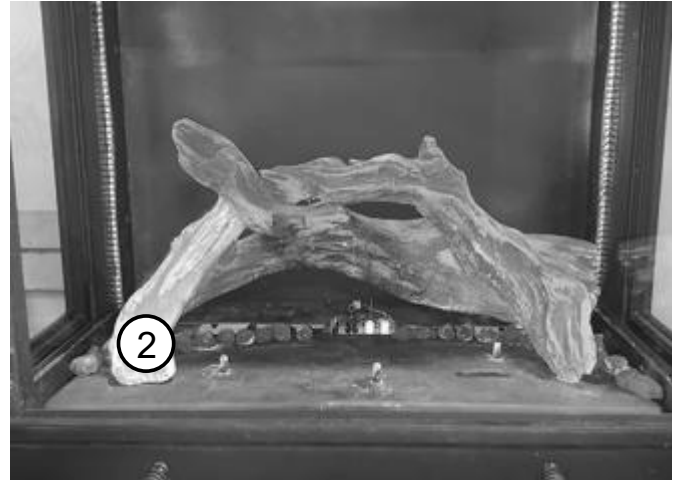


Figure 11.4. Place #2 Left Side Log on the far left pin and rest the other end on the bump on #1 Rear Log.

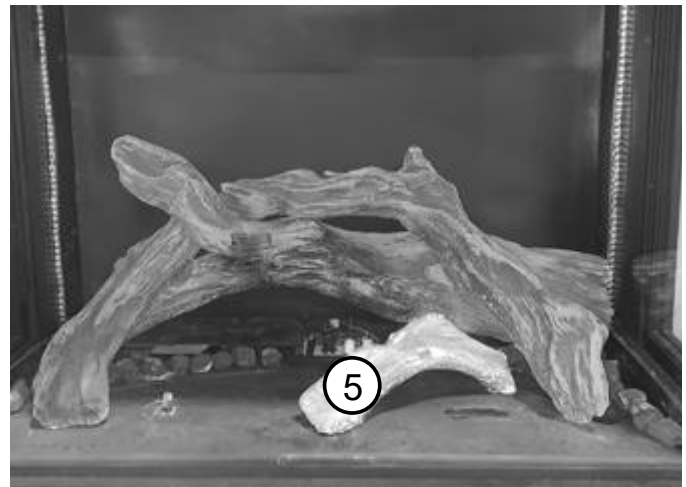


Figure 11.5. Place #5 Right Middle Log on the two middle right pins on the burner.

The Rock Wool included in the Miscellaneous Kit is intended as an enhancement to replicate glowing embers. Use a toothbrush or tweezers to sparingly apply small pinches of fibers over the front of the burner base after the log components have been installed. The ample supply of rock wool is provided for ease of handling and application purposes only. **DO NOT USE THE ENTIRE QUANTITY OF ROCK WOOL.** Use no more than 1/4 of the material supplied.

Please be aware that sooting may occur with Propane fuel under minimum vent configurations. Should soot develop, use a soft brush to clean the log and remove some or all of the rock wool from the burner.

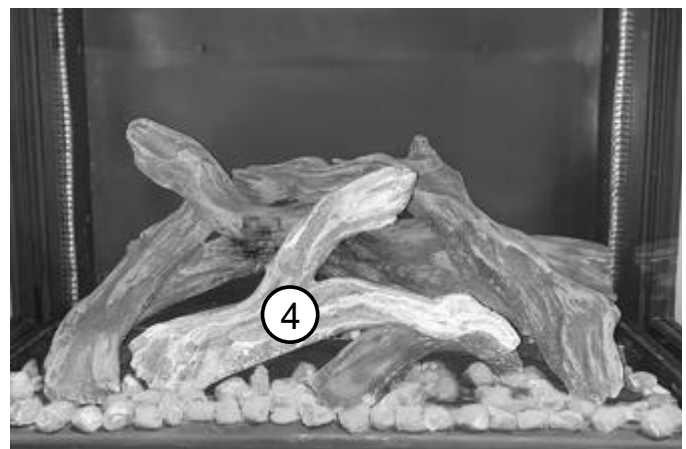


Figure 11.6. Place #4 Left Middle Log on the middle left pin on the burner and rest the other end on #5 Right Middle Log. Arrange Ember Stones over the Burner Base.

## 12. System Check

- PURGING THE GAS LINE:** When lighting the appliance for the first time, it will take a few moments to clear the gas line of air. Once this purge is complete, the appliance will operate as described in the lighting instructions. From a cold start, it may be helpful to let the pilot light burn in mode for 10 - 15 minutes to establish positive draft, before turning the burner on. See the procedure on the inside back cover of this manual. Subsequent burner starts will not require purging the gas line unless the supply line is shut off.
- PILOT FLAME:** You can monitor the pilot flame located behind the burner at the rear of the firebox. The pilot flame should be steady - not lifting or floating. The flame should be blue in color around the pilot hood, with traces of yellow toward the outer edges. Fig. 12.1.  
The pilot flame should engulf the top 1/8" of the thermocouple and thermopile. The pilot flame should project from the pilot hood port toward the burner carry-over ports. Adjust the pilot flame using the adjustment screw to the left of the valve regulator. See fig. 12.2.
- See Flame Appearance / Air Shutter for air shutter settings and adjustments. Note: The more offsets there are in the vent system, the greater the need for an air shutter adjustment.

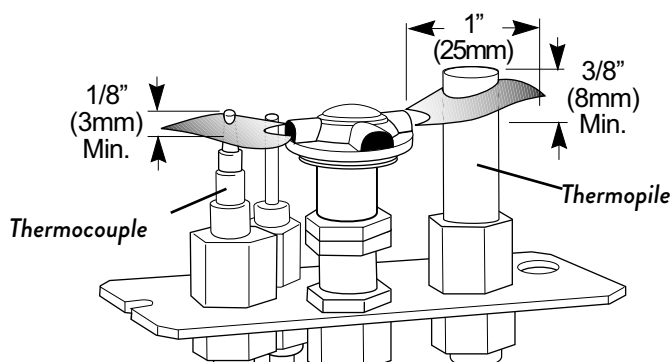


Figure 12.1.  
Normal pilot flame projection.



**WARNING:**  
PILOT ADJUSTMENT SHOULD ONLY  
BE PERFORMED BY A QUALIFIED,  
PROFESSIONAL SERVICE TECHNICIAN

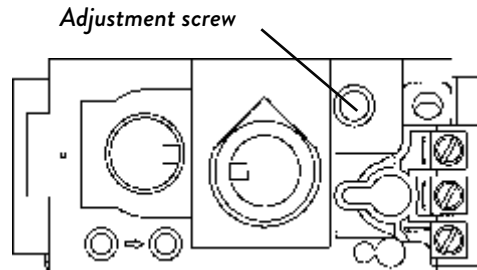


Figure 12.2. Pilot flame regulation.

### INITIAL FIRING PROCESS - Heat-curing the Stove Paint

This appliance has been painted with the highest quality coating used in the hearth industry. Manufacturers have selected this product because it has been proven durable, colorfast, and beautiful at temperatures up to 1200°F/650°C. Although the paint has been air-dried at the factory, it must be heat-cured in order to maximize its coating properties and durability. This process occurs during initial firing of the appliance and will generate odor and some visible smoke.

**We recommend you do the following BEFORE operating the appliance for the first time:**

- Ventilate:** Open doors and windows and use a fan to circulate fresh air throughout the room.
- Vacate:** The fumes are non-toxic, but can be uncomfortable for babies, small children, pregnant women, elderly, pets, or anyone having breathing difficulties.

### Gas Appliance Curing Process

- After the installer has confirmed proper burner function at all heat levels, the homeowner should operate the appliance at a low setting for several hours, followed by several hours operation at a high setting.
- Off-gassing by paint and log set ceramic material may leave a white, powdery deposit on the inside surface of the glass panel. **This residue must be removed using a non-abrasive hearth gas appliance glass cleaner or warm water to prevent permanent etching of the glass.**

**DO NOT USE AMMONIA-BASED CLEANERS. DO NOT CLEAN HOT GLASS.**

See OPERATION sections, pages 31-32, for detailed, day-to-day operating procedures.

## 13. Flame Appearance / Air Shutter Adjustment

The GF 520 DV gas stove is shipped from the factory equipped to burn Natural gas and the air inlet shutter has been set to provide optimal combustion efficiency under a variety of venting configurations. The air shutter may be adjusted, however, to accommodate the conditions of your individual installation and to provide the desired flame picture. Other installation-related variables can also affect the flame picture:

**Too large an air setting** - the appliance will generate a flame that is blue and transparent, or an “anemic” flame.

**Too small an air setting** - the appliance will generate very long yellow flames resulting in black soot deposits on the logs, on the inside walls of the appliance, and potentially on the exterior termination cap. Sooting is caused by incomplete combustion in the flames and/ or insufficient combustion air entering the air shutter opening.

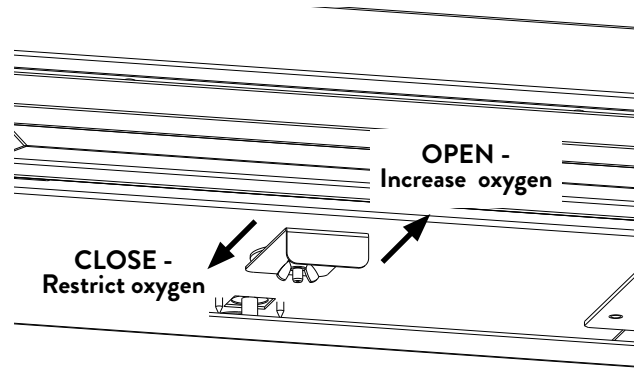


Figure 13.1.

*Pull the shutter forward to increase primary air.  
Push it back to restrict air.*

### To adjust the air shutter:

1. Loosen the wing nut shown in fig. 13.1. Slide the Air Shutter Handle forward toward yourself to open the air shutter and back to provide less air. Before making any adjustments, start at the mid-point of the total range of adjustment.
2. Allow the stove to burn for 15-20 minutes on the HIGH setting, observing the flame continuously. If the flame appears weak, slow, or sooty, increase the air shutter opening in 1/16" - 1/8" increments until the desired flame picture is achieved. Allow the flames a few minutes to “settle-in” after each adjustment.
3. Tighten the wing nut to secure the shutter at the desired setting.



Figure 13.2. Log Set burner flame picture.

# 14. Operation

## Important Notes

1. For the first several hours of operation, it is common to detect some odor as the metal and manufacturing materials cure under heat. This condition is temporary and can be alleviated by allowing plenty of fresh air to circulate through the area.
2. Condensation may develop on the glass upon each lighting of the appliance. This “fog” will disappear as the glass heats.
3. **IMPORTANT:** It will be necessary to clean the glass after the first few fires. A white powdery residue will be evident which results from the burner media curing. *Use a non-abrasive hearth gas appliance glass cleaner and warm water.*

**IF THE GLASS IS NOT CLEANED, THIS RESIDUE CAN CAUSE THE GLASS TO BECOME PERMANENTLY ETCHED.**

**DO NOT USE AMMONIA-BASED CLEANERS.**

4. Keep the control compartments and area under the appliance free of dust. Always keep the appliance area clear and free from combustible materials, gasoline and other flammable liquids.
5. This appliance can be operated with a continuously burning pilot flame. Exercise caution when using household products containing combustible vapors.
6. **CAUTION: DO NOT OPERATE THIS APPLIANCE WITH ANY OF THE GLASS PANELS REMOVED, CRACKED OR BROKEN. REPLACEMENT OF THE GLASS SHOULD BE DONE ONLY BY A LICENSED OR QUALIFIED SERVICE PERSON. USE ONLY REPLACEMENT GLASS PROVIDED BY YOUR AUTHORIZED JØTUL DEALER. NEVER SUBSTITUTE ANY OTHER TYPE OF GLASS.**  
**REMOVE GLASS ONLY FOR ROUTINE MAINTENANCE.**  
**ALWAYS HANDLE GLASS CAREFULLY.**

**WARNING:**

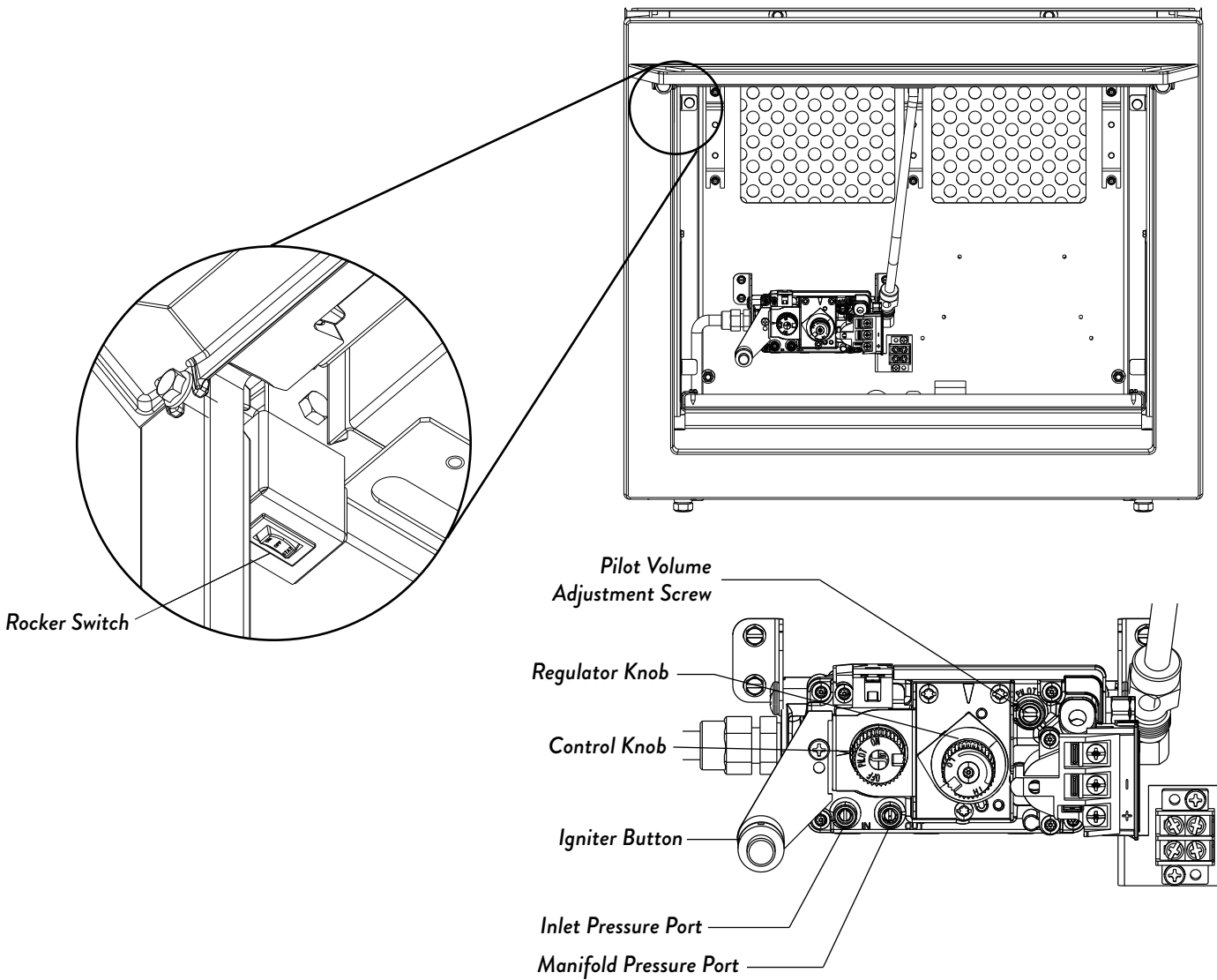
**READ AND UNDERSTAND ALL OPERATING INSTRUCTIONS BEFORE ATTEMPTING TO OPERATE THIS APPLIANCE. DO NOT ALLOW ANYONE TO OPERATE THIS APPLIANCE WHO HAS NOT READ AND UNDERSTOOD THESE INSTRUCTIONS. KEEP THE REMOTE CONTROL TRANSMITTER WHERE CHILDREN CANNOT REACH IT.**

**WARNING:**

**SEVERE INJURY. THIS APPLIANCE CAN BE SET TO OPERATE THERMOSTATICALLY. BE AWARE THAT THE APPLIANCE MAY BE VERY HOT EVEN WHEN THE BURNER IS NOT APPARENTLY OPERATING. KEEP CHILDREN AWAY FROM THE APPLIANCE.**

**WARNING:**

**OBSERVE CAUTION NEAR THE GLASS PANEL. THE GLASS MAY SHATTER IF STRUCK BY AN OBJECT. ALWAYS HANDLE THE GLASS PANEL WITH CARE.**



## Burner Operation

Familiarize yourself with the controls of the GF 520 DV and be sure that anyone else using the appliance is also familiar with the controls and operation procedures. Always follow the Lighting Instructions on the inside back cover of this manual and also located on the inside the Controls Access Panel.

This appliance is equipped with an ignition device that lights the pilot automatically. **Do not try to light the pilot by hand.**

Once the pilot is lit, burner operation is controlled by the rocker switch located at the left corner of the Control Access Panel. See fig. 14.2.

ON / OFF - use for manual control of the burner.

T-STAT - use for optional thermostatic or remote control operation. The burner will be controlled by those accessories.

**DV MV ONLY:** This appliance is equipped with a timed valve that will shut off the pilot light after seven (7) days if there has been not call for heat within that time. Re-ignite the pilot following the lighting instructions on the rating plate on the rear of the stove or on page 43 of this manual. Exercise caution when using household products containing combustible vapors.



# 15. Maintenance

## NOTICE:

- **THIS APPLIANCE AND VENT SYSTEM MUST BE INSPECTED ANNUALLY BY A QUALIFIED GAS TECHNICIAN.** Keep this manual for reference.
- **IMPORTANT: ALWAYS TURN OFF THE GAS SUPPLY AND DISCONNECT POWER FROM THE APPLIANCE BEFORE ANY SERVICE WORK IS PERFORMED.**

## GLASS AND SAFETY SCREEN BARRIERS

- **DO NOT OPERATE THIS APPLIANCE IF ANY OF THE GLASS PANELS OR SAFETY SCREEN BARRIERS IS REMOVED, CRACKED, DAMAGED OR MISSING.**
- **REPLACE DAMAGED COMPONENTS USING ONLY GENUINE JØTUL PARTS AVAILABLE FROM ANY JØTUL AUTHORIZED DEALER. REPLACEMENT SHOULD BE DONE ONLY BY A LICENSED OR QUALIFIED SERVICE PERSON.**
- **CAUTION: HANDLE BROKEN GLASS WITH CARE. REMOVE THE LOG SET AND USE A VACUUM TO CLEAN ANY REMAINING GLASS FRAGMENTS FROM THE BURNER AND FIREBOX.**

## Annual Cleaning

### Vent System

- The entire vent system, including the chimney if appropriate, should be inspected every year. If the venting is disassembled for any reason, it should be reassembled and sealed according to the vent manufacturer's instructions provided at the initial installation. **DO NOT USE SILICONE SEALANT.**

### Burner System

Periodically inspect the firebox, valve compartment, convection airways and optional blower to **BE CERTAIN THAT THE FLOW OF COMBUSTION AND VENTILATION AIR IS UNOBSTRUCTED.**

- The valve compartment should be vacuumed regularly to remove dust and debris. Vacuum more frequently if there are pets in the home.
- Use a soft brush attachment and handle log set components carefully.
- **The pilot assembly and burner base should be inspected and cleaned annually by a qualified technician. Replace any component showing evidence of corrosion.**

## Glass Care

Clean the glass only when necessary. Wipe the surface with a clean, dampened, soft cloth. Follow with a dry, soft towel. Take care not to scratch the glass surface.

### WARNING:

**DO NOT USE ABRASIVE CLEANERS ON THE GLASS. NEVER CLEAN THE GLASS WHEN IT IS HOT. DO NOT USE AMMONIA-BASED CLEANING SOLUTIONS.**

### Glass and Gasket Inspection

It is important that the glass gasket be inspected at least annually. Examine the ribbon gasket for signs of deterioration and make sure the gasket has a positive seal. Replace the gasket if necessary. Refer to the replacement parts list on page 39.

**NOTE: INSPECT THE GLASS SURFACE FOR SCRATCHES AS THESE CAN WEAKEN THE PANEL TENSILE STRENGTH. REPLACE THE PANEL IF ANY SCRATCHES ARE FOUND. USE ONLY DOOR GLASS KIT 158067 AND SIDE GLASS PANEL 158080. DO NOT SUBSTITUTE ANY OTHER TYPE OF GLASS.**

## Front Door Glass & Gasket Replacement Kit 158335

Read through these instructions before beginning the procedure

**Tools:** Needle nose pliers or flathead screwdriver

1. Lift and remove the Top Plate and Front Plate
2. Use the Latch Tool to pull each latch hook forward to disengage them from the glass frame. Fig. 2.2, page 5.
3. Lift the glass frame up and off of the firebox.
4. The glass panel is held in place by four tabs at the frame corners. Use a screwdriver or small pliers to pry these up just enough to release the glass panel. See fig. 11.1, page 34.
5. Remove the old gasket material.
6. Wrap the new gasket material evenly around the edge of the glass, peeling back the protective strip to expose the adhesive as you go, leaving a 1/2" overlap at the top. Press the adhesive side down onto the glass surface. Do not stretch the gasket.
7. Place the gasketed glass within the frame and carefully bend each of the corner retainer tabs back just enough to secure the glass in the frame. The Replacement Glass kit includes 4 Tinnerman compression clips for use in case a tab should break. The clips engage over the edge of the frame sides.

## Side Glass & Gasket Replacement Kit 158080

Read through these instructions before beginning the procedure.

### Tool List:

- Two 10mm wrenches
- 1/4 inch drive
- 4mm hex key

### Replace the Side Glass Panel

1. Lift off the Top Plate.
2. Remove the Front Plate.
3. Use the Latch Tool to pull each latch hook forward to disengage the glass frame from the firebox. Lift the glass frame up and off of the stove. See figs. 2.1 and 2.2 pg 5.+
4. Remove the 10mm nut and bolt from the rear top side of the side assembly.
5. **LOOSEN** the 10mm bolt on the inside front of the side screen assembly.
6. **LOOSEN** the 10mm bolt on the inside back of the side screen assembly.
7. Remove the side assembly by tipping and lifting off the unit.
8. Remove the four 10mm nuts holding the side glass frames.

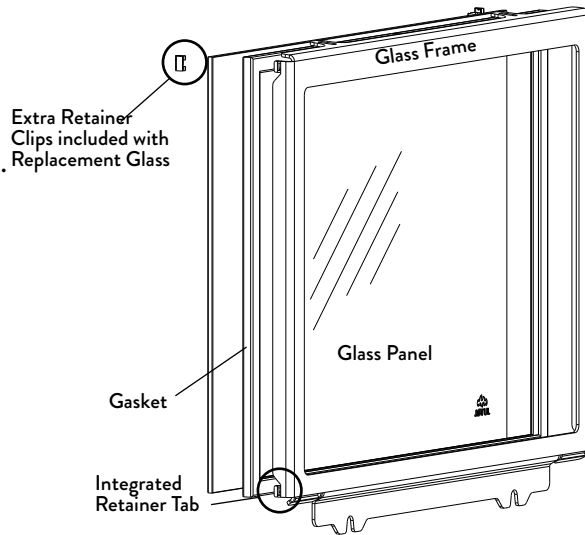


Figure 15.1.  
Front Glass replacement.

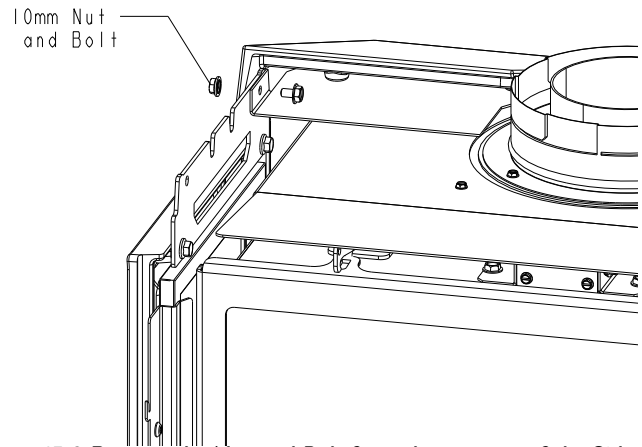


Figure 15.3. Remove the Nut and Bolt from the rear top of the Side Assembly

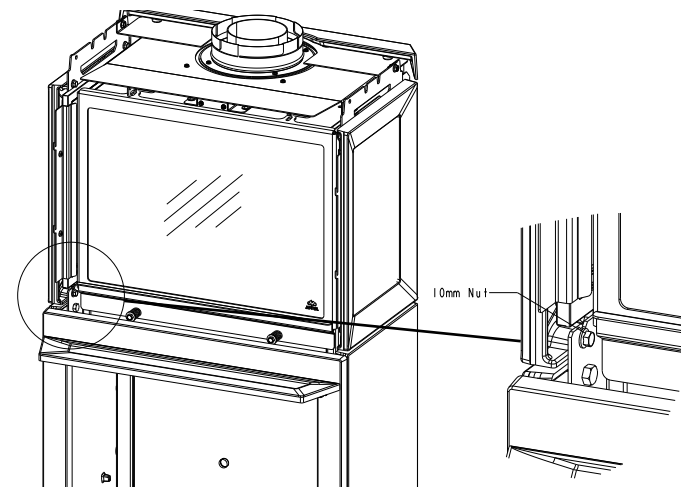


Figure 15.4. Loosen the bolt on the inside front of the Side Assembly

**9. Install replacement side glass and gasket:**

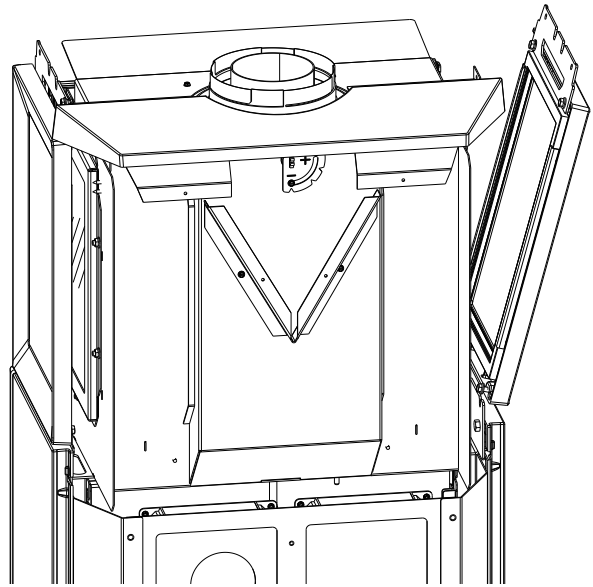
- Wrap the new gasket material evenly around the edge of the glass, peeling back the protective strip to expose the adhesive, leaving a 1/2" overlap at the end seam. Press the adhesive side down onto the glass surface. Do not stretch the gasket.
- Place the panel within the frame, ensuring the gasket seam is on the top.

10. Replace the Side Glass Frame. Place the front of the frame in the channel on the firebox then swing the frame onto the four retaining studs. Using the four 10mm nuts previously removed.

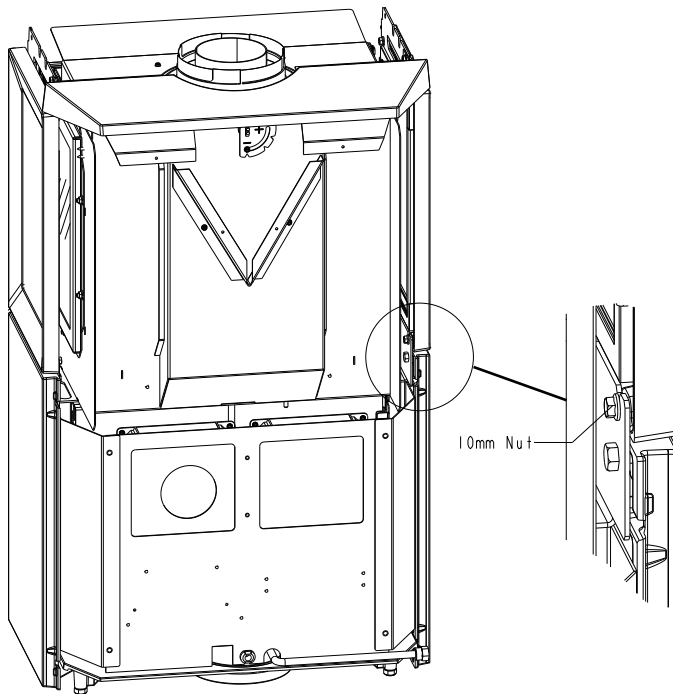
11. Replace the Side Assembly and tighten the two loosened bolts on the inside front and back of the side assembly.

12. Replace the 10mm bolt and screw removed from the rear top side of the side assembly.

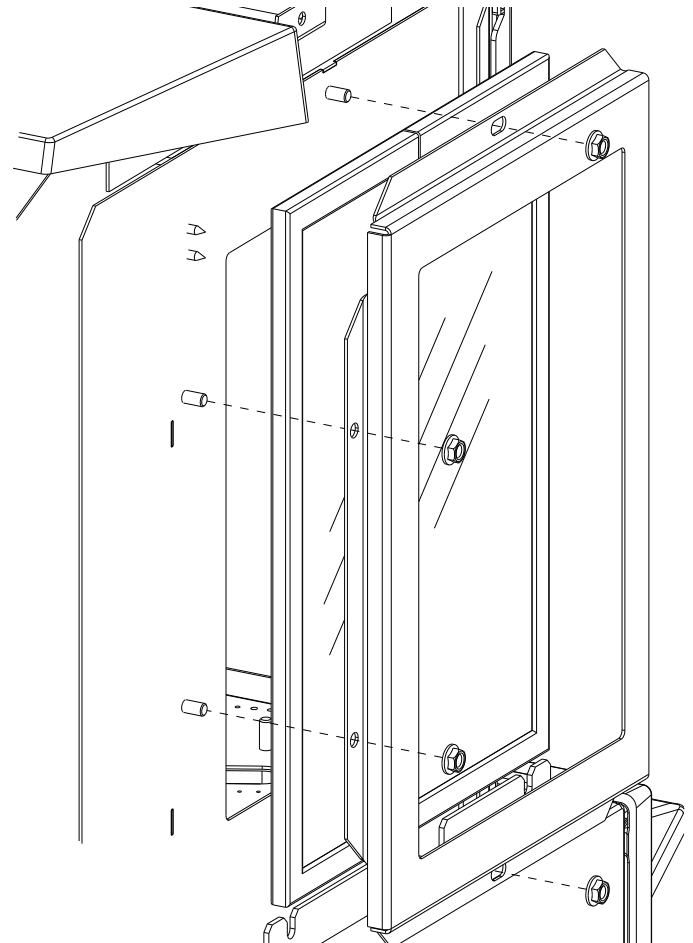
13. Replace the front and top plates.



*Figure 15.6. Remove the side assembly and set aside.*



*Figure 15.5. Loosen the bolt on the inside rear of the Side Assembly*



*Figure 15.7. Remove the nuts holding the glass frame.*

## Safety Screen Maintenance and Replacement

### Cleaning

The integrated, Invisimesh® safety screens, located in front of the door and side glass panels, should be periodically cleaned to remove dust, lint, and other air-bourne debris. Over time, and with continuous exposure to heat, these materials can contribute to variations in the screen hue.

Remove the front plate and clean both sides of the screen using a fine, soft bristle brush or vacuum attachment.

**APPLY ONLY VERY GENTLE PRESSURE TO AVOID DAMAGING THE SCREEN.**

### 226647 Front Safety Screen Replacement

Tools: #4 hex key

The front safety screen is easily accessible from the back of the front plate. .

Use a #4 Hex Key to remove the eight button head screws and retainer brackets as shown in fig. 15.8.

The replacement screen and frame installs as a single unit using the original eight brackets and screws. Screen material must sit flush to inner cast rib.

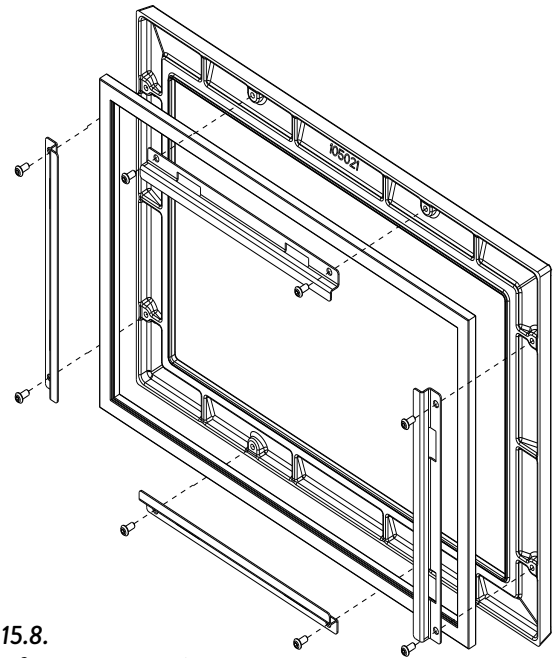


Figure 15.8.  
Remove front screen retainer screws and brackets.

### Side Safety Screen Replacement 226648

#### Tool List:

- Two 10mm wrenches
- 1/4" Driver
- #4 hex key

1. Follow steps 1-7 in the instructions for the side glass replacement kit on pg. 34 to remove the side assembly.
2. Use the 4mm hex key to remove the four button head screws and two screen brackets.
3. Remove the old screen and place the new screen on the side assembly with the screen material resting against the cast rib of the side plate.
4. Replace the screen brackets and screws.
5. Follow steps 11-13 in the instructions for the side glass replacement kit on pg. 34-35 to reassemble the stove.

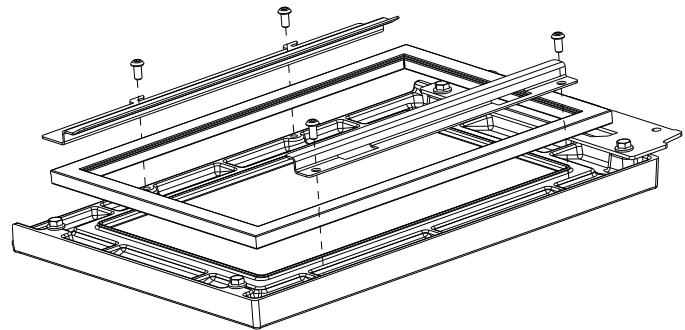


Figure 15.9.  
Remove side screen retainer screws and brackets.

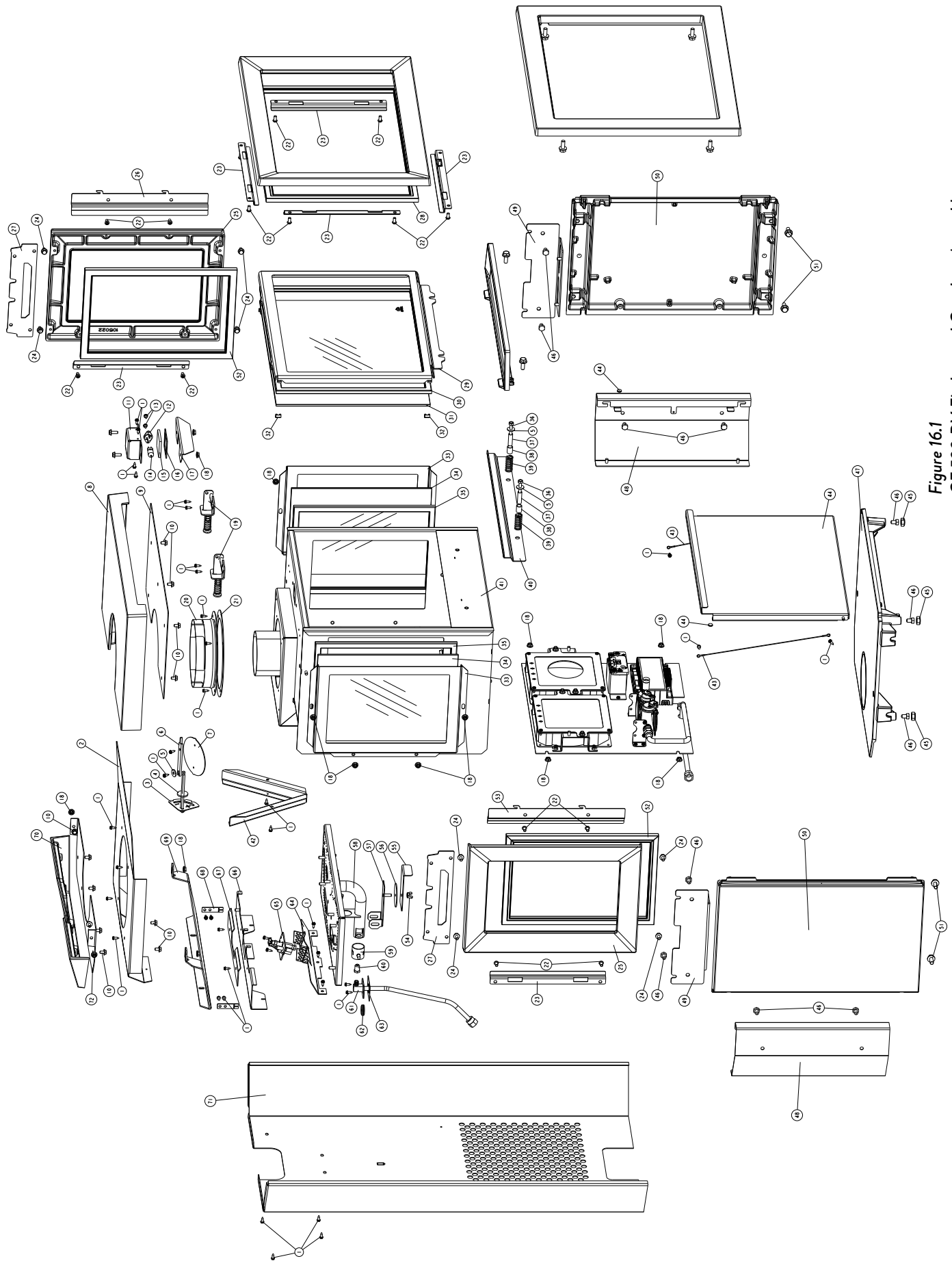


Figure 16.1  
GF 520 DV Firebox and Cast Iron Assembly

No.	Part No.	Description
1	117917	Screw, HWH SMA #8 x 1/2 SL Blk Oxide - PIC
2	226725	Convection Air Shroud, GF520
3	227013	Weldment, Restrictor Outer, GF520
4	223241	Gasket, Exhaust Restrictor / Washer
5	120004	Washer, Fender, 6.4mm ID x18mm OD x 1.6mm, Zinc, DIN 9021 - PIC
6	225469	Inner Restrictor Rod, GF 305/500
7	225466	Restrictor Plate, GF 305/500
8	10502392	Top Plate, Front, MB, GF 520
9	226858	Heat Shield, Top Plate, GF520
10	9962	Bolt, Hex Cap M6x10 DIN 6928 8.8 Ser Flange Zinc - PIC
11	22476392	Light Box, Delay Door Mount, MB
12	157601	Accent Light Wire Harness, Single Light, Proflame 2 Stoves
13	117967	Screw, Pan Head #7 x 3/8 PH SMA Zinc - PIC
14	222943	Light Bulb, 130 Volt, 35 Watt
15	222974	Glass, Ceramic, Light Fixture
16	222977	Gasket, Light Cover
17	22476792	Light Shade, Stoves, MB
18	117968	Nut, M6 Serrated Flange plain - PIC
19	225942	Latch, Glass Frame, GF305 DV IPI
20	129322	Adapter Pipe, 6.625 dia
21	129118	Gasket, Starter, 6.75" ID x 8.25" OD - PIC
22	118034	Screw, M6 x 12, Button Head, Hex Socket, Blk Oxide
23	226658	Screen Retainer, GF520
24	117130	Bolt, Hex Head Serr Flange M6x12 Blk - PIC
25	10502292	Side Plate, MB, GF 520
26	226659	Front Plate Hanger, Right Side, GF520
27	226667	Support Bracket, Top Plate, GF520
28	226647	Screen, Assembly, Front, GF 520
29	22665492	Glass Frame, GF520, MB
30	129124	Gasket, Tadpole, .25 X 1.25 Nominal, Graphite, Self Adhesive (70 in)
31	226723	Glass, Ceramic, Front, GF 520
32	220042	Clip, U Type (Tinnerman) - PIC
33	226666	Glass Frame, Side, GF520
34	226724	Glass, Ceramic, Side, GF 520
35	129124	Gasket, Tadpole, .25 X 1.25 Nominal, Graphite, Self Adhesive (46 in)

No.	Part No.	Description
36	9911	Bolt, Hex Cap, M6x45, DIN 933, Class 8.8, Blk - PIC
37	118039	Sleeve, .375" OD X .312" ID X 1.188", SS - PIC
38	118408	Spacer, .400"ID x .500" OD .625"LG
39	226467	Spring, 1.5" Length 316 SS
40	226655	Retainer Glass Frame, GF520
41	226608	Firebox Weldment, GF520
42	226918	Blower Chevron, GF520
43	129159	Lanyard, Rating Plates
44	22666592	Access Door Controls, GF520, MB
45	222664	Protection Cap, M8 Hex, Black
46	99115	Bolt, Hex Head M8 x 12 Blk - PIC
47	10502892	Base Plate, MB, GF 520
48	22666492	Access Wall Controls, GF520
49	226660	Retainer, Side to Base, GF520
50	10502692	Base, Side Plate, MB, GF 520
51	117875	Bolt, M8 x 20, Hex Serrated Flange Hd Class 8.8 Black Oxide
52	226648	Screen, Assembly, Side, GF 520
53	226657	Front Plate Hanger, Left Side, GF520
54	117975	Nut, Wing M6 Zinc - PIC
55	226955	Handle, Air Shutter
56	220734	Gasket, 2.25" OD x 188" ID x .125" T - PIC
57	226677	Handle, Air Shutter, GF520
58	158219	Replacement Burner Assembly, GF520
59	221390	Primary Air Shutter Asby
60	220018	Orifice, #37
	45025	Orifice, #52 / LP
61	223231	Orifice Holder, Drop In Assembly, 12.5" Tube
62	225525	Grommet, Silicone, Pilot Plug, GF500/160/305
63	222280	Gasket, Drop In Orifice Holder
64	226919	Intake Air Diverter, GF520
65	226745	Pilot Assembly, NG, Flat Brkt, SS Body, 18" Tube, w/LP
		Injector
66	226670	Rear Shelf, GF520
67	226861	Intake Air Diverter, Rear Shelf, GF520
68	226948	Panel Retainer, GF520
69	226656	Baffle, Firebox, GF520
70	10502492	Top Plate, Rear, MB, GF 520
71	226668	Rear Shroud, GF520
72	226857	Rear Heat Shield Top Plate

# GF 520 DV Illustrated Parts Breakdown

Use only parts available from  
Jetul authorized dealers.

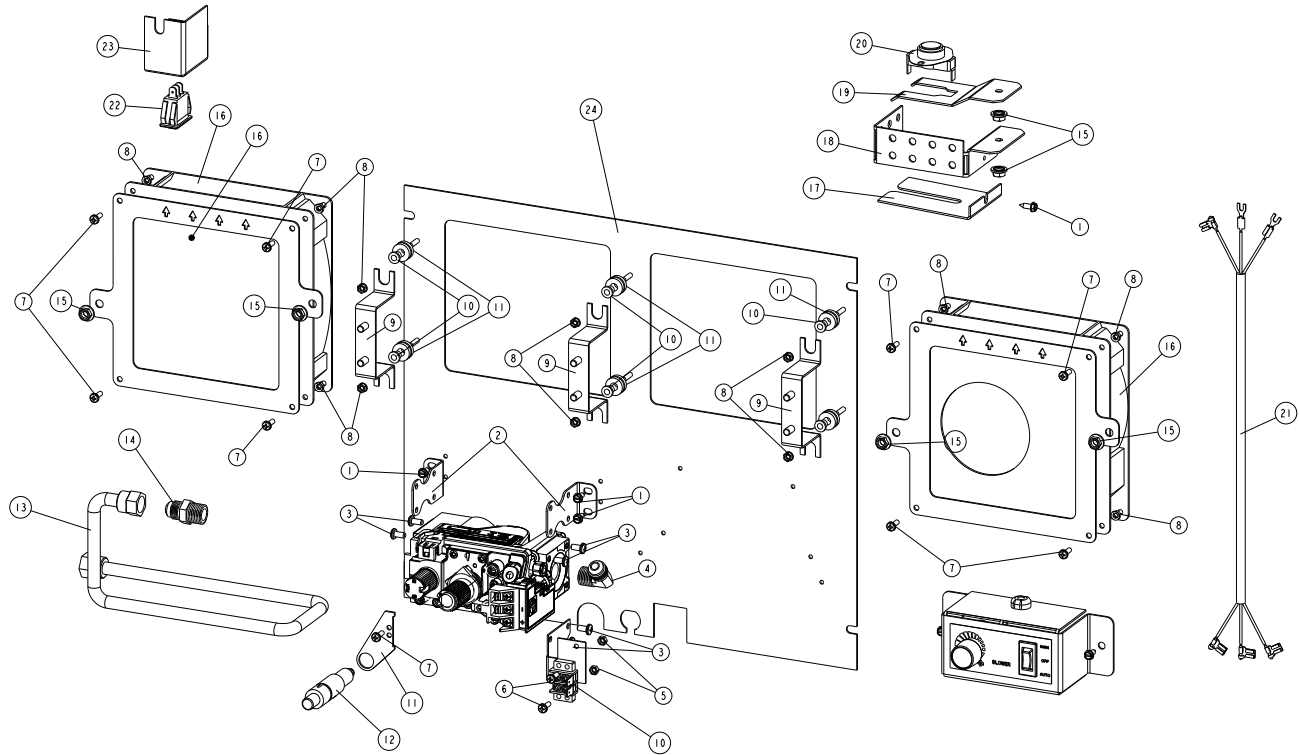


Figure 16.2  
GF 520 DV Valve Assembly and Optional Blower

No.	Part No.	Description
1	117917	Screw, HWH SMA #8 x 1/2 SL Blk Oxide
2	226662	Valve Bracket, GF520
3	117911	Screw, Pan Head, Phillips, 10-32x3/8", Zinc
4	222292	Elbow, 90 deg, Brass 3/8 NTP X 3/8" Dia Flare
5	117922	Nut, Hex M4, DIN 934, Plain - PIC
6	117921	Screw, Pan Head, Phillips, M4 X 14, Blk Oxide
7	117920	Screw, Pan Head, Phillips, M4 X 8, Zinc
8	118055	Kepnut, M4, Ext. Tooth Lockwasher, Stl, Zinc
9	226939	Fan Mounting Bracket, GF520
10	129154	Terminal Block, 2 Pole 77 series - PIC
11	3902576	Igniter Bracket
12	3902573	Piezo Ignitor Button
13	226310	Flex Tube, 3/8" OD x 36", 3/8" Female Flare Connectors
14	223215	Adapter, Straight, Brass, 3/8 NTP x 3/8" Dia Flare

No.	Part No.	Description
15	117968	Nut, M6 Serrated Flange plain
16	158333	Replacement Blower, Flat Pack, GF520
17	225063	Snapstat Finger Guard, GI450 DVII/45i/545/645
18	225069	Snapstat Shield, GI450 DVII/45i/545/645
19	222951	Bracket, Snapstat, Firebox Mounted, GI 450/545/645
20	220617	Snapstat, 120-110 °F, Normally Open - YELLOW
21	158	Replacement Harness, Burner Switch, GF520 DV
22	129153	Switch, Rocker, SPDT, Black, Ctr Off, Marked "ON-OFF-STAT" - PIC
23	226950	Switch Box, Ignition On/Off, GF520 DV / DVMV
24	226661	Controls Board, GF520
25	222263	DV Valve
	226946	DV MV Valve

*This page is intentionally left blank.*



*This page is intentionally left blank.*

# 18. Jøtul Gas Product Warranty

This warranty policy applies to gas products identified by the Jøtul trade name as set forth below.

## A. LIMITED FIVE YEAR WARRANTY - Cast Iron, Steel Doors, Surround Components, Firebox:

Jøtul North America Inc. (JØTUL) warrants, to the original retail purchaser, that those components of the Jøtul Gas Stove or Fireplace specified above will be free of defects in material and workmanship for a period of five (5) years from the date of purchase. This warranty is subject to the terms, exclusions and limitations set forth in the following text.

## B. LIMITED TWO YEAR WARRANTY - Burner, Ceramic Burner, Burner Treatments, Firebox Panels:

JØTUL warrants, to the original retail purchaser, that those components of the Jøtul Gas Stove or Fireplace specified above will be free of defects in material and workmanship for a period of two (2) years from the date of purchase. Ceramic burners are warranted against functional defects for a period of two (2) years from the date of purchase. This warranty is subject to the terms, exclusions, and limitations set forth in the following text.

## C. LIMITED TWO YEAR WARRANTY - Enamel Finish:

JØTUL warrants, to the original retail purchaser, the enamel finish on cast iron components of the Jøtul Stove or Fireplace Insert specified above against peeling or fading for a period of two (2) years from the date of purchase. This warranty is subject to the terms, exclusions and limitations set forth below.

## D. LIMITED ONE YEAR WARRANTY - Gas & Electrical Components (controls, plumbing, valve, blower):

JØTUL warrants, to the original retail purchaser, that those components of the Jøtul Gas Stove or Fireplace specified above will be free of defects in material and workmanship for a period of one (1) year from the date of purchase. This warranty is subject to the terms, exclusions, and limitations set forth in the following text.

JØTUL will repair or replace (including parts & labor), at its option, any of the above components determined by JØTUL to be covered by this warranty. You must, at your own expense, arrange to deliver or ship the component to an authorized Jøtul dealer and arrange for pickup or delivery of the component after repairs have been made. If, upon inspection, JØTUL determines that the component is covered by this warranty, the repair or replacement will be made as set forth above. This warranty is not transferable and is extended only to, and is solely for the benefit of, the original retail purchaser of the Jøtul Gas Stove or Fireplace. This paragraph sets forth the sole remedy available under this warranty in the event of any defect in the Jøtul Gas Stove or Fireplace. The warranty period for any replaced component will be the remaining unexpired portion of the warranty period for the original component. Please retain your dated sales receipt in your records as proof of purchase.

## EXCLUSIONS AND LIMITATIONS

NOTICE: This warranty is void if installation or service is performed by someone other than an authorized installer, service agency or gas supplier, or if installation is not in conformance with the installation and operating instructions contained in this owner's manual or local and/or national fire and building regulations. A listing of local authorized installers, service agencies and gas suppliers can be obtained from the National Fireplace Institute at <http://www.nficertified.org/>. This warranty does not cover the following:

1) Repair or replacement of parts that are subject to normal wear and tear during the warranty period or to parts that may require replacement in connection with normal maintenance. **These parts include lamp bulbs, paint, gaskets, and glass** (except to the extent such parts suffer damage from thermal stress).

2) Damage due to incorrect installations not in conformance with the installation instructions contained in this owner's manual or local and/or national fire and building regulations.

3) Damage due to service performed by an installer, service agency or gas supplier, unless otherwise agreed to in writing by JØTUL.

4) Labor or other costs associated with the repair of gas controls, plumbing, burners, log set, lamp bulbs, or sheet metal firebox beyond the warranty period.

5) Damage caused by unauthorized modification, use or repair.

6) Damage to enameled surfaces caused by improper operation or misuse, including use that is not in conformance with the operating instructions contained in this owner's manual. Such damage can typically be identified by bubbling, cracking, or discoloration of the enamel finish.

7) Costs incurred by travel time and/or loss of service.

8) Damage incurred while the Jøtul Gas Stove or Fireplace is in transit.

IN NO EVENT SHALL JØTUL, ITS PARENT COMPANY, SHAREHOLDERS, AFFILIATES, OFFICERS, EMPLOYEES, AGENTS OR REPRESENTATIVES BE LIABLE OR RESPONSIBLE TO YOU FOR ANY SPECIAL, INDIRECT, INCIDENTAL, CONSEQUENTIAL, PUNITIVE OR OTHER SIMILAR DAMAGES, INCLUDING, BUT NOT LIMITED TO, LOST PROFITS, LOST SALES, INJURY TO PERSON OR PROPERTY, OR DAMAGES TO A STRUCTURE OR ITS CONTENTS, ARISING UNDER ANY THEORY OF LAW WHATSOEVER. ALL IMPLIED WARRANTIES, INCLUDING THE IMPLIED WARRANTIES OF MERCHANTABILITY AND FITNESS FOR A PARTICULAR PURPOSE, OR OTHERWISE, ARE LIMITED IN DURATION TO THE LENGTH OF THIS WRITTEN WARRANTY. EXCEPT AS EXPRESSLY SET FORTH HEREIN, JØTUL MAKES NO ORAL, WRITTEN OR OTHER WARRANTY WITH RESPECT TO JØTUL GAS STOVES OR FIREPLACES.

Some states do not allow the exclusion or limitation of incidental or consequential damages, or limitations on the length of implied warranties. Therefore, the above exclusions or limitations may not apply to you. This warranty gives you specific legal rights, and you may have other rights, which vary from state to state.

JØTUL reserves the right to discontinue, modify or change the materials used to produce the Jøtul Gas Stove or Fireplace. JØTUL shall have the right to replace any defective component with substitute components determined by JØTUL to be of substantially equal quality and price.

The dollar value of JØTUL's liability for breach of this warranty shall be limited exclusively to the cost of furnishing a replacement component. JØTUL shall not in any event be liable for the cost of labor expended by others in connection with any defective component. Any costs or expenses beyond those expressly assumed by JØTUL under the terms of this warranty shall be the sole responsibility of the owner(s) of the Jøtul Gas Stove or Fireplace.

No dealer, distributor, or other person is authorized to modify, augment, or extend this limited warranty on behalf of JØTUL. NO MODIFICATION OR CHANGE TO THIS WARRANTY WILL BE EFFECTIVE UNLESS IT IS MADE IN A WRITTEN DOCUMENT MANUALLY SIGNED BY AN AUTHORIZED OFFICER OF JØTUL.

An authorized installer may have been provided with certain information related particularly to the Jøtul Gas Stove or Fireplace; however, no authorized installer or other person who may service the appliance is an agent of JØTUL. No inference should be made that JØTUL has tested, certified, or otherwise pronounced any person as qualified to install or service the appliance. JØTUL shall not be liable or otherwise responsible for any error or omission by a person installing or servicing a Jøtul Gas Stove or Fireplace.

If you believe your Jøtul Gas Stove or Fireplace is defective, you should contact your nearest authorized Jøtul dealer, who will process a warranty claim. IN ORDER TO QUALIFY FOR WARRANTY COVERAGE, JØTUL MUST RECEIVE NOTICE OF A POSSIBLE DEFECT WITHIN SIXTY (60) DAYS OF THE DATE THE DEFECT IS FIRST DISCOVERED, OR REASONABLY COULD HAVE BEEN DISCOVERED.

This warranty is given by Jøtul North America, Inc.,  
55 Hutcherson Drive, Gorham, Maine 04038 USA

# LIGHTING INSTRUCTIONS

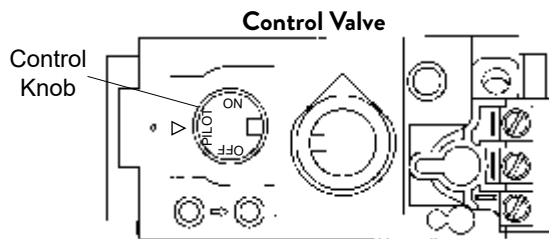
FOR YOUR SAFETY, READ BEFORE LIGHTING.

**WARNING:**  
IF YOU DO NOT FOLLOW THESE INSTRUCTIONS EXACTLY, A FIRE OR EXPLOSION MAY RESULT CAUSING PROPERTY DAMAGE, PERSONAL INJURY, OR LOSS OF LIFE.

- A. This appliance has a pilot which must be lit by hand. When lighting the pilot, follow these instructions exactly.
- B. BEFORE LIGHTING, smell all around the appliance area for gas. Be sure to smell next to the floor because some gas is heavier than air and will settle to the floor.
- WHAT TO DO IF YOU SMELL GAS:
- Extinguish any open flame.
  - Open windows.
  - Do not light any appliance.
  - Do not touch any electrical switches.
  - Do not use any phone in your building.
  - Immediately call your gas supplier from a neighbor's phone.
- If your gas supplier cannot be reached, call the fire department.
- C. Use only your hand to push in or turn the gas control knob. Never use tools. If the knob will not push in or turn by hand, do not try to repair it. Call a qualified technician. Force or attempted repair may result in a fire or explosion.
- D. Do not use this appliance if any part has been under water. Immediately call a qualified service technician to inspect the appliance and to replace any part of the control system and any gas control which has been under water.

## LIGHTING INSTRUCTIONS

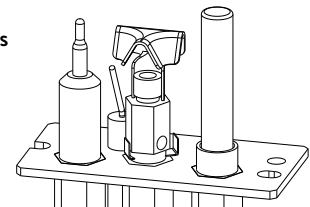
1. STOP! Read the safety information above.
2. Set the BURNER ON/OFF switch to "OFF", or set the thermostat to lowest setting (if used).
3. Confirm that the gas supply line shut-off valve is open.



4. Push in Valve Control knob slightly and turn clockwise to "OFF".  
NOTE: Knob cannot be turned from "PILOT" to "OFF" unless the knob is pushed in slightly. Do not force.
5. Wait five (5) minutes to clear out any gas. If you then smell gas, STOP! Follow "B" in the safety information above on this page. If you do not smell gas, go to the next step.
6. Push in Valve Control knob slightly and turn counter-clockwise to "PILOT".
7. Push in control knob all the way and hold in.

Immediately light the pilot by triggering the spark ignitor (push the red button repeatedly) until pilot lights. Continue to hold the control knob in for about one minute after the pilot lights. Release knob and it should spring back. The pilot should remain lit. If it goes out, repeat Steps 5 through 7.

- If knob does not return when released, stop and immediately call your service technician or gas supplier.
- If pilot will not stay lit after several tries, turn the control knob to OFF and call your service technician or gas supplier.



8. Turn Valve Control knob counter-clockwise to "ON".
9. Set the BURNER switch to "ON", or set thermostat (if used) to desired temperature.
10. NOTE: MV MODELS ONLY - the pilot will automatically shut off if there is no call for heat within seven days. Relight the pilot following the preceding steps in order.

## TO TURN OFF GAS TO THE APPLIANCE:

1. Place BURNER switch in "OFF" position. The pilot will remain lit for normal service.
2. For complete shutdown, depress the Valve Control Knob and turn clockwise to "OFF". Do not force.

December 2022  
130139\_Rev. 1

This appliance must be installed in conformance with local and national building regulations. Before beginning the installation, it is important that these instructions be carefully read and understood. Jøtul maintains a policy of continual product development. Consequently, products may differ in specification, color or type of accessories from those illustrated or described in various publications.

Your stove has a unique serial number stamped on the rating plate located in the control compartment. Please record the serial number in the space below. You may also wish to attach your purchase receipt to this page for future reference.

MODEL NAME: Jøtul GF 520 DV

SERIAL NUMBER: \_\_\_\_\_

DATE OF PURCHASE: \_\_\_\_\_

AUTHORIZED DEALER: \_\_\_\_\_

ADDRESS \_\_\_\_\_

PHONE: \_\_\_\_\_

INSTALLER: \_\_\_\_\_

FUEL TYPE: \_\_\_\_\_

FUEL CONVERSION: NO \_\_\_\_\_ YES \_\_\_\_\_

INSTALLATION DATE: \_\_\_\_\_

INSTALLATION TECHNICIAN: \_\_\_\_\_

**Jøtul North America**  
55 Hutcherson Dr.  
Gorham, Maine 04038-2634

**Jøtul ASA**  
P.O. Box 1411  
N-1602 Fredrikstad  
Norway

