

Jøtul GI 450 DV II Replacement Parts

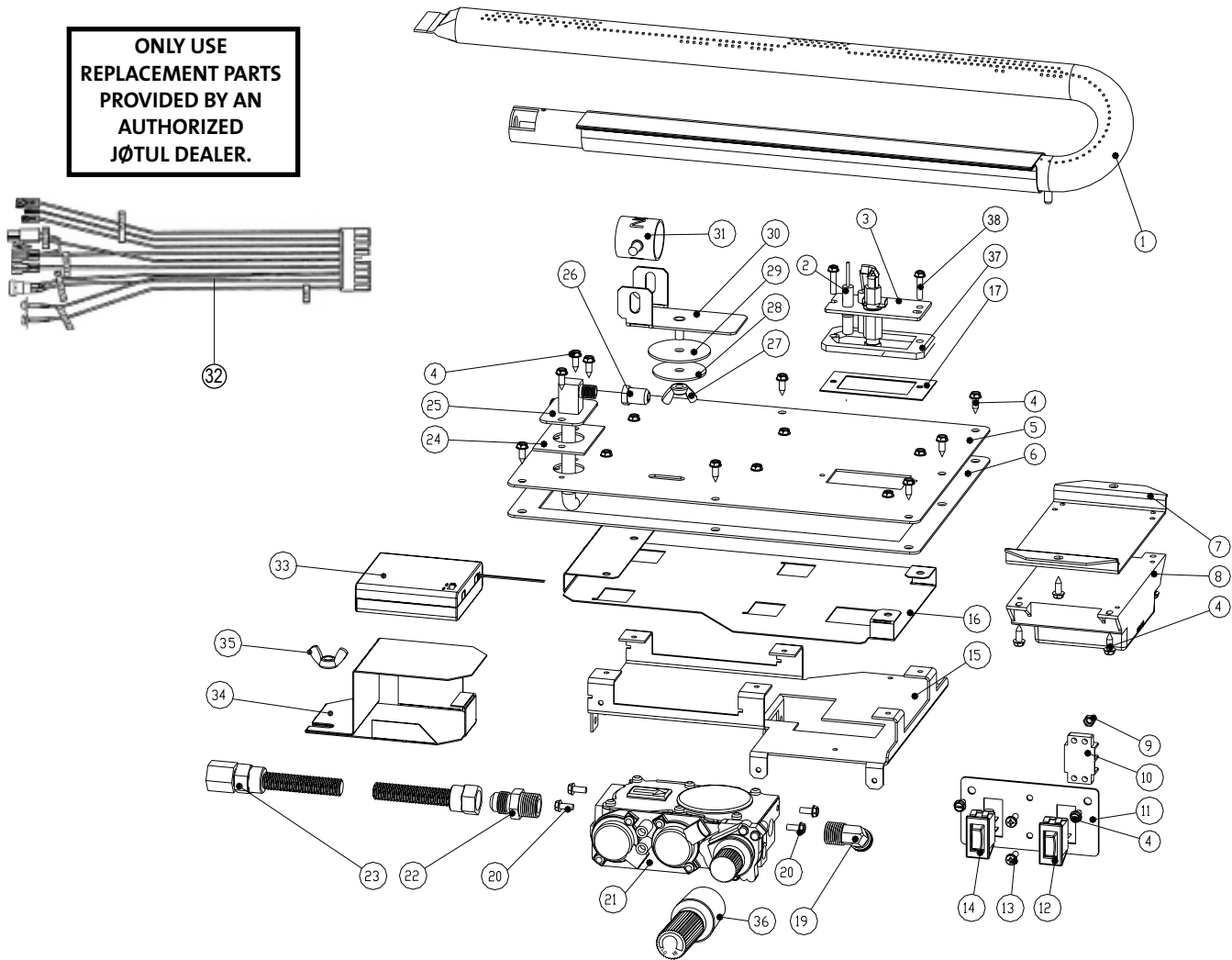
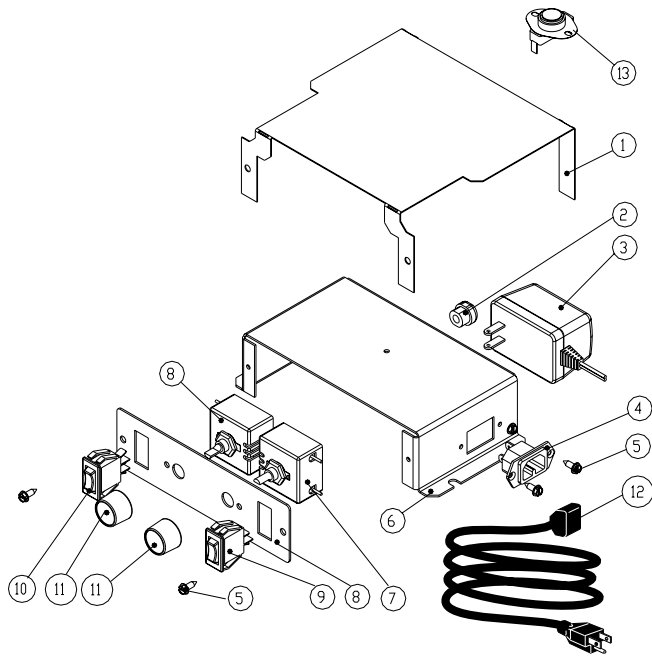


Figure 51. Burner and Spud Assembly

No.	Part Number	Description
1	129660	Burner Tube, GI 450 DV II
2-32	157266	Spud Assembly, Complete - GI 450 DV II
3	224785	Pilot Assembly, PSE - Dual Fuel
4	117917	Screw, HWH SMA 8 x 1/2 SL Blk Oxide
5	22395292	Spud Cover Plate, Matte Black
6	129669	Gasket, Spud Plate Assembly
7	223244	Bracket, IPI Ignition Board
8	222924	Proflame IPI Ignition Board
9	117922	Nut, Hex M4 DIN 934 PLAIN
10	129154	Terminal Block, 2 Pole 77 series
11	223986	Face Plate, Burner / Pilot, GI 450 DVII, Silk Screened
12	120517	Switch, Rocker, SPST, Black, Plain
13	117921	Screw, Pan Head Ph M4 X 12 8.8 M/S- Blk Oxide
14	220703	Switch, Rocker, SPDT, Center Off, Black, Plain
15	223953	Valve Bracket
16	223901	Heat Shield, Valve
17	129670	Gasket, Pilot Assembly
18	223254	Plug, Pilot Thermopile (For IPI Pilot)
19	222292	Elbow, 90°, Brass 3/8 NTP X 3/8" Dia Tube
20	118214	Screw, #8 X 1/4", Taptite, SLHWH, SZPL

No.	Part Number	Description
21	223980	Proflame Valve, Manual Hi/Lo, NG
22	223215	Adaptor, Straight, Brass, 3/8 NTP x 3/8" Dia Flare
23	129707	Flex tube w/connectors (3/8" O.D. x 24")
24	222280	Gasket, Drop In Orifice Holder
25	223231	Orifice Holder, Drop In Assembly
26	220641	Orifice, #33 - NG
	045025	Orifice, #52 / LP
27	117975	Nut, Wing M6 Zinc
28	118029	Washer, Fender .250 x 1.500 dia.
29	221107	Gasket, Primary Air Shutter
30	224104	Handle, Air Shutter, Internal, GI 450 DVII
31	221390	Primary Air Shutter Assembly
32	157264	SIT Proflame DFC Wire Harness, GI 450 DVII
33	157265	Battery Box Assembly
34	22410792	Battery Shield, Matte Black
35	117975	Wing Nut, M6
36	129730	Regulator Knob Extension
37	224791	Pilot Spacer, PSE .188"
38	117968	Screw, #8 x .750" - Pilot Assembly

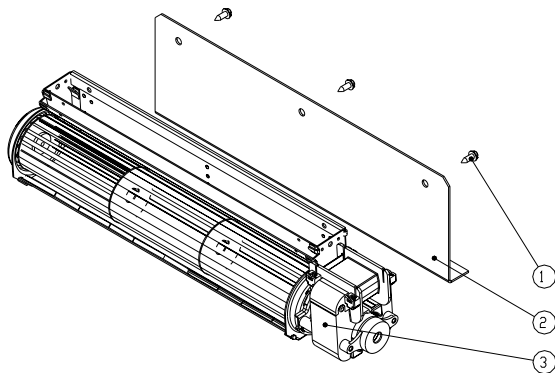
Figure 52. Dimmer & Blower Controls Assembly



No.	Part Number	Description
1	224103	Heat Shield, AC Controls
1,2,4-11	157267	Control Assembly, Complete - GI 450 DVII
2	118037	Wire strain relief - Heyco 6P4-4
3	157663*	AC/DC Adapter, High Temp, 7V w/ Extension Cord
	225422**	
4	221790	Receptacle, High Temperature
5	117917	Screw, HWH SMA 8 x 1/2 SL Blk Oxide
6	224102	Control Box, Receptacle
7	220970	Rheostat, Long Lead - 26in
8	224101	Face Plate, Blower / Light, GI 450 DVII, Silk Screened
9	220703	Switch, Rocker, SPDT, Center Off, Black, Plain
10	120517	Switch, Rocker, SPST, Black, Plain
11	220709	Knob, Rheostat Control, 1" Dia.
12	222093	Power Cable
13	220637	Snapstat

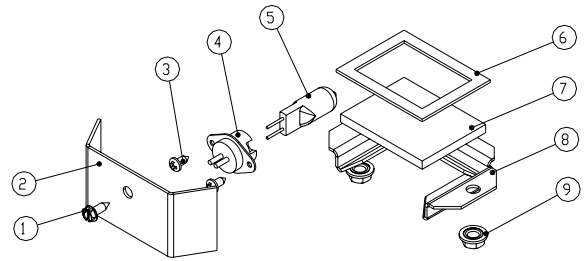
* < Serial No. 31688 ** > / = Serial No. 31688

Figure 53. Blower Assembly



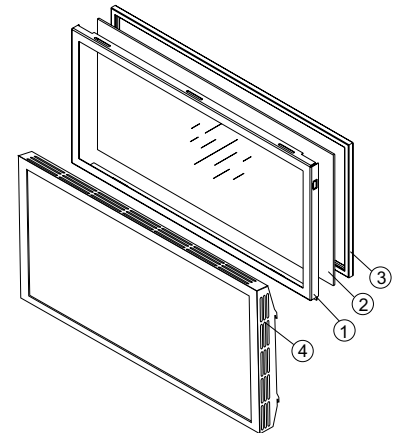
No.	Part Number	Description
1	117917	Screw, HWH SMA 8 x 1/2 SL Blk Oxide
2	222799	Blower Bracket, GI 450
3	157969	Blower, Replacement, Crossflow, 12" Cage, 120 CFM

Figure 54. Lamp Assembly



No.	Part Number	Description
1	117917	Screw, HWH SMA 8 x 1/2 SL Blk Oxide
2	22397092	Light Shade, Matte Black
3	118015	Screw, PH SMA #7x1/2 Zinc
4	157323	Light Fixture, High Temperature
5	222943	Light Bulb, 130 Volt, 50 Watt
6	222977	Gasket, Light Kit
7	222974	Glass, Ceramic, Light Fixture
8	22297592	Glass Retainer, Light Fixture - Matte Black
9	117968	Nut, M6 Serrated Flange plain

Figure 55. Glass Assembly and Safety Screen Barrier



No.	Part Number	Description
1	12961792	Glass Frame, Matte Black
2	154986	Glass Panel w/ gasket
3	129124	Gasket, Fiber Glass w/ Graphite, .25 X 1.38 Nominal
4	157738	Safety Screen Barrier